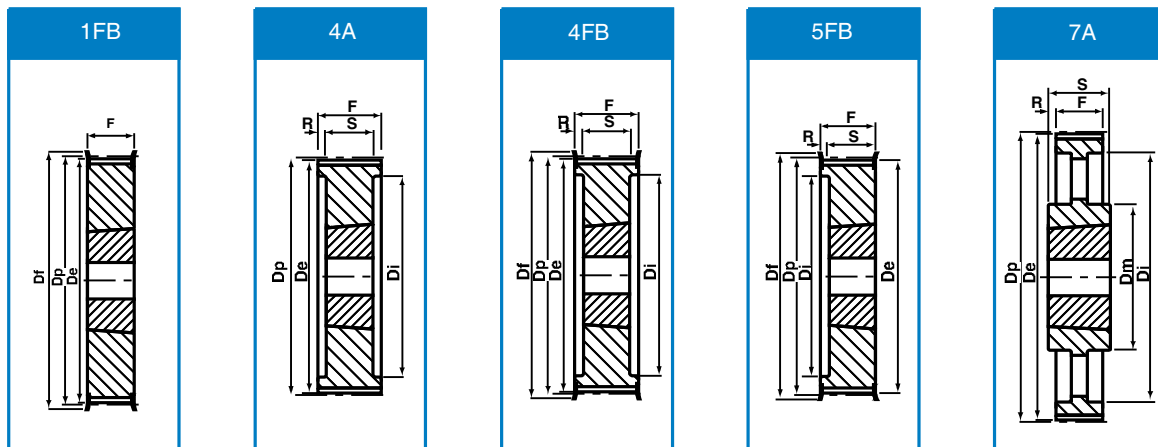


## HTD® Taper Bore

### 5mm Pitch 5M-15 (15mm Wide Belt)

Product Description	Number of Teeth	Type	Bush Size	Material	Dp	De	Df	Dm	Di	F	S	R	Weight Kg
34-5M-15	34	8FB	1008	Steel	54.11	52.97	57.00	43	-	20.5	22	1.50	0.19
36-5M-15	36	8FB	1108	Steel	57.30	56.16	60.00	44	-	20.5	22	1.50	0.20
38-5M-15	38	8FB	1108	Steel	60.48	59.34	66.00	48	-	20.5	22	1.50	0.25
40-5M-15	40	8FB	1108	Steel	63.66	62.52	71.00	52	-	20.5	22	1.50	0.31
44-5M-15	44	8FB	1108	Steel	70.03	68.89	75.00	54	-	20.5	22	1.50	0.40
48-5M-15	48	8FB	1210	Cast Iron	76.39	75.25	83.00	64	-	20.5	25	4.50	0.45
56-5M-15	56	8FB	1210	Cast Iron	89.13	87.99	93.00	70	-	20.5	25	4.50	0.67
64-5M-15	64	8FB	1210	Cast Iron	95.49	94.35	106.00	78	-	20.5	25	4.50	0.96
72-5M-15	72	8FB	1610	Cast Iron	114.59	113.45	119.00	90	-	20.5	25	4.50	1.19
80-5M-15	80	8FB	1610	Cast Iron	127.32	126.18	135.00	92	-	20.5	25	4.50	1.57
90-5M-15	90	7A	1610	Cast Iron	143.24	142.10	-	92	126	20.5	25	2.30	1.47
112-5M-15	112	7A	1610	Cast Iron	178.25	177.11	-	92	162	20.5	25	2.30	1.94
136-5M-15	136	7A	2012	Cast Iron	216.45	215.31	-	106	199	20.5	32	5.80	3.06
150-5M-15	150	7A	2012	Cast Iron	238.73	237.59	-	106	222	20.5	32	5.80	3.90



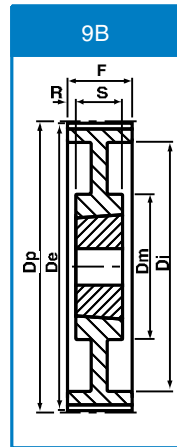
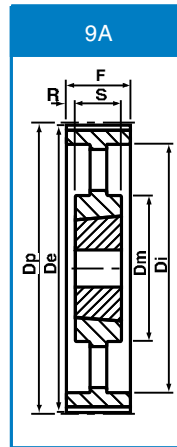
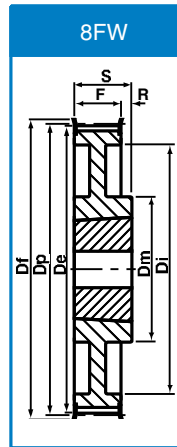
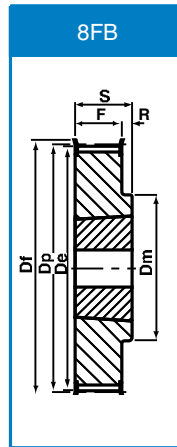
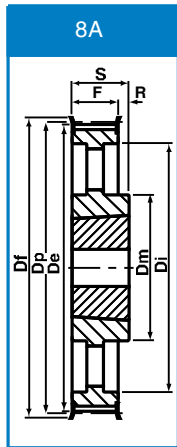
### 8mm Pitch 8M-20 (20mm Wide Belt)

Product Description	Number of Teeth	Type	Bush Size	Material	Dp	De	Df	Dm	Di	F	S	R	Weight Kg
22-8M-20	22	5FB	1008	Cast Iron	56.02	54.65	60.00	-	41	28	22	6.00	0.24
24-8M-20	24	5FB	1108	Cast Iron	61.12	59.75	66.00	-	42	28	22	6.00	0.30
26-8M-20	26	5FB	1108	Cast Iron	66.21	64.84	71.00	-	46	28	22	6.00	0.36
28-8M-20	28	5FB	1108	Cast Iron	71.30	70.08	75.00	-	50	28	22	6.00	0.44
30-8M-20	30	5FB	1108	Cast Iron	76.39	75.13	83.00	-	58	28	22	6.00	0.53
32-8M-20	32	5FB	1610	Cast Iron	81.49	80.16	87.00	-	62	28	25	3.00	0.42
34-8M-20	34	5FB	1610	Cast Iron	86.58	85.22	91.00	-	65	28	25	3.00	0.55
36-8M-20	36	5FB	1610	Cast Iron	91.67	90.30	98.50	-	68	28	25	3.00	0.68
38-8M-20	38	5FB	1610	Cast Iron	96.77	95.39	103.00	-	72	28	25	3.00	0.80
40-8M-20	40	5FB	1610	Cast Iron	101.86	100.49	106.00	-	76	28	25	3.00	1.00
44-8M-20	44	8FB	2012	Cast Iron	112.05	110.67	119.00	93	-	28	32	4.00	1.20
48-8M-20	48	8FB	2012	Cast Iron	122.23	120.86	127.00	96	-	28	32	4.00	1.60
56-8M-20	56	8FB	2012	Cast Iron	142.60	141.23	148.00	110	-	28	32	4.00	2.40
64-8M-20	64	8FW	2012	Cast Iron	162.97	161.60	168.00	110	137	28	32	4.00	2.70
72-8M-20	72	8FW	2012	Cast Iron	183.35	181.97	192.00	110	158	28	32	4.00	3.30
80-8M-20	80	8W	2012	Cast Iron	203.72	202.35	-	110	180	28	32	4.00	3.50
90-8M-20	90	8A	2012	Cast Iron	229.18	227.81	-	110	204	28	32	4.00	3.65
112-8M-20	112	8A	2517	Cast Iron	285.21	283.83	-	125	260	38	45	7.00	6.20
144-8M-20	144	8A	2517	Cast Iron	366.69	365.32	-	125	341	38	45	7.00	9.00
168-8M-20	168	7A	3525	Cast Iron	427.81	426.44	-	190	402	60	65	2.50	16.40
192-8M-20	192	7A	3525	Cast Iron	488.92	487.55	-	190	460	60	65	2.50	21.80

## HTD® Taper Bore

### 8mm Pitch 8M-30 (30mm Wide Belt)

Product Description	Number of Teeth	Type	Bush Size	Material	Dp	De	Df	Dm	Di	F	S	R	Weight Kg
22-8M-30	22	5FB	1008	Cast Iron	56.02	54.65	60.00	-	41	28	22	6.00	0.24
24-8M-30	24	5FB	1108	Cast Iron	61.12	59.75	66.00	-	42	38	22	16.00	0.38
26-8M-30	26	5FB	1108	Cast Iron	66.21	64.84	71.00	-	46	38	22	16.00	0.45
28-8M-30	28	5FB	1108	Cast Iron	71.30	70.08	75.00	-	50	38	25	13.00	0.50
30-8M-30	30	1FB	1615	Cast Iron	76.39	75.13	83.00	-	-	38	38	-	0.55
32-8M-30	32	1FB	1615	Cast Iron	81.49	80.16	87.00	-	-	38	38	-	0.59
34-8M-30	34	1FB	1615	Cast Iron	86.58	85.22	91.00	-	-	38	38	-	0.77
36-8M-30	36	1FB	1615	Cast Iron	91.67	90.30	98.50	-	-	38	38	-	0.96
38-8M-30	38	1FB	1615	Cast Iron	96.77	95.39	103.00	-	-	38	38	-	1.15
40-8M-30	40	1FB	1615	Cast Iron	101.86	100.49	106.00	-	-	38	38	-	1.34
44-8M-30	44	4FB	2012	Cast Iron	112.05	110.67	119.00	-	91	38	32	3.00	1.33
48-8M-30	48	4FB	2012	Cast Iron	122.23	120.86	127.00	-	95	38	32	3.00	1.78
56-8M-30	56	4FB	2012	Cast Iron	142.60	141.23	148.00	-	117	38	32	3.00	3.76
64-8M-30	64	8FB	2517	Cast Iron	162.97	161.60	168.00	125	-	38	45	7.00	4.20
72-8M-30	72	8FW	2517	Cast Iron	183.35	181.97	192.00	125	158	38	45	7.00	4.30
80-8M-30	80	8W	2517	Cast Iron	203.72	202.35	-	125	180	38	45	7.00	4.60
90-8M-30	90	8A	2517	Cast Iron	229.18	227.81	-	125	204	38	45	7.00	5.00
112-8M-30	112	8A	2517	Cast Iron	285.21	283.83	-	125	260	38	45	7.00	6.20
144-8M-30	144	8A	2517	Cast Iron	366.69	365.32	-	125	341	38	45	7.00	9.00



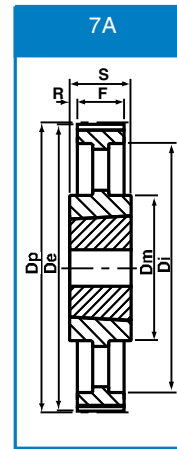
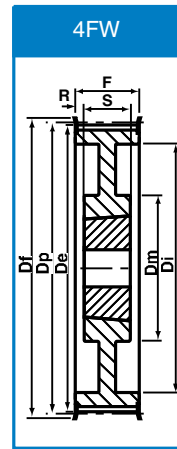
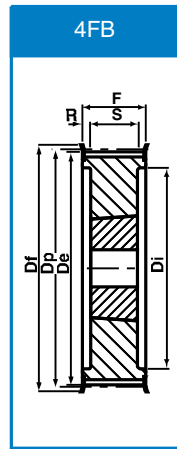
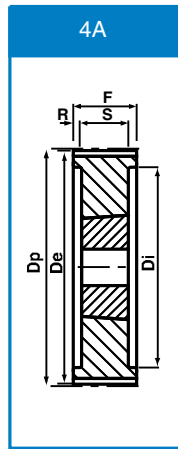
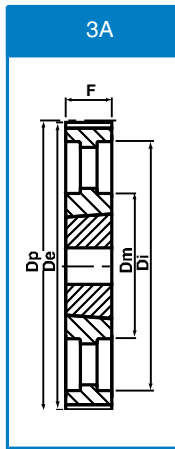
### 8mm Pitch 8M-50 (50mm Wide Belt)

Product Description	Number of Teeth	Type	Bush Size	Material	Dp	De	Df	Dm	Di	F	S	R	Weight Kg
28-8M-50	28	5FB	1210	Cast Iron	71.30	70.08	75.00	-	50	60	25	35.00	0.60
30-8M-50	30	5FB	1615	Cast Iron	76.39	75.13	83.00	-	58	60	38	22.00	0.65
32-8M-50	32	5FB	1615	Cast Iron	81.49	80.16	87.00	-	62	60	38	22.00	0.82
34-8M-50	34	5FB	1615	Cast Iron	86.58	85.22	91.00	-	65	60	38	22.00	1.10
36-8M-50	36	5FB	1615	Cast Iron	91.67	90.30	98.50	-	68	60	38	22.00	1.30
38-8M-50	38	5FB	1615	Cast Iron	96.77	95.39	103.00	-	72	60	38	22.00	1.60
40-8M-50	40	4FB	2012	Cast Iron	101.86	100.49	106.00	-	82	60	32	14.00	1.71
44-8M-50	44	4FB	2012	Cast Iron	112.05	110.67	119.00	-	91	60	32	14.00	1.78
48-8M-50	48	4FB	2012	Cast Iron	122.23	120.86	127.00	-	96	60	32	14.00	2.30
56-8M-50	56	4FB	2517	Cast Iron	142.60	141.23	148.00	-	116	60	45	7.50	3.40
64-8M-50	64	4FB	2517	Cast Iron	162.97	161.60	168.00	-	137	60	45	7.50	5.00
72-8M-50	72	4FB	2517	Cast Iron	183.35	181.97	192.00	125	158	60	45	7.50	6.70
80-8M-50	80	4A	3020	Cast Iron	203.72	202.35	-	-	180	60	51	4.50	8.80
90-8M-50	90	9B	3020	Cast Iron	229.18	227.81	-	170	204	60	51	4.50	10.00
112-8M-50	112	9B	3020	Cast Iron	285.21	283.83	-	170	260	60	51	4.50	12.00
144-8M-50	144	9A	3020	Cast Iron	366.69	365.32	-	170	341	60	51	4.50	15.20
168-8M-50	168	7A	3525	Cast Iron	427.81	426.44	-	190	402	60	65	2.50	16.40
192-8M-50	192	7A	3525	Cast Iron	488.92	487.55	-	190	460	60	65	2.50	21.80

## HTD® Taper Bore

### 8mm Pitch 8M-85 (85mm Wide Belt)

Product Description	Number of Teeth	Type	Bush Size	Material	Dp	De	Df	Dm	Di	F	S	R	Weight Kg
34-8M-85	34	4FB	1615	Cast Iron	86.58	85.22	91.00	-	65	95	38	28.50	1.43
36-8M-85	36	4FB	1615	Cast Iron	91.67	90.30	98.50	-	68	95	38	28.50	1.87
38-8M-85	38	4FB	1615	Cast Iron	96.77	95.39	103.00	-	72	95	38	28.50	2.20
40-8M-85	40	4FB	2012	Cast Iron	101.86	100.49	106.00	-	82	95	32	31.50	1.80
44-8M-85	44	4FB	2012	Cast Iron	112.05	110.67	119.00	-	91	95	32	31.50	2.30
48-8M-85	48	4FB	2517	Cast Iron	122.23	120.86	127.00	-	100	95	45	25.00	2.66
56-8M-85	56	4FB	2517	Cast Iron	142.60	141.23	148.00	-	117	95	45	25.00	4.45
64-8M-85	64	4FB	2517	Cast Iron	162.97	161.60	168.00	-	137	95	45	25.00	6.20
72-8M-85	72	4FB	3020	Cast Iron	183.35	181.97	192.00	-	158	95	51	22.00	8.00
80-8M-85	80	4A	3020	Cast Iron	203.72	202.35	-	-	180	95	51	22.00	10.00
90-8M-85	90	9B	3020	Cast Iron	229.18	227.81	-	170	204	95	51	22.00	10.80
112-8M-85	112	9B	3020	Cast Iron	285.21	283.83	-	170	260	95	51	22.00	15.00
144-8M-85	144	9A	3525	Cast Iron	366.69	365.32	-	190	341	95	65	15.00	20.00
168-8M-85	168	9A	3525	Cast Iron	427.81	426.44	-	190	402	95	65	15.00	23.00
192-8M-85	192	9A	3525	Cast Iron	488.92	487.55	-	190	460	95	65	15.00	28.50



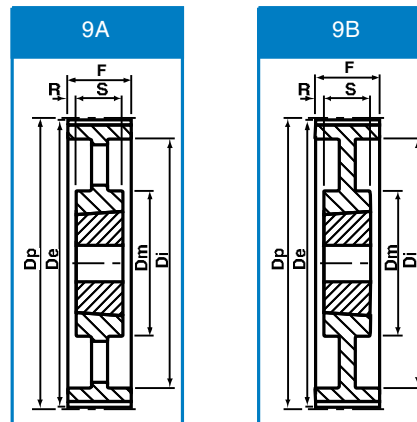
### 14mm Pitch 14M-40 (40mm Wide Belt)

Product Description	Number of Teeth	Type	Bush Size	Material	Dp	De	Df	Dm	Di	F	S	R	Weight Kg
28-14M-40	28	4FB	2012	Cast Iron	124.78	122.12	127.00	-	98	54	32	11.00	2.10
29-14M-40	29	4FB	2012	Cast Iron	129.23	126.57	138.00	-	100	54	32	11.00	2.38
30-14M-40	30	4FB	2012	Cast Iron	133.69	130.99	138.00	-	100	54	32	11.00	2.65
32-14M-40	32	4FB	2012	Cast Iron	142.60	139.88	154.00	-	104	54	32	11.00	3.40
34-14M-40	34	4FB	2517	Cast Iron	151.52	148.79	160.00	-	110	54	45	4.50	3.87
36-14M-40	36	4FB	2517	Cast Iron	160.43	157.68	168.00	-	120	54	45	4.50	4.80
38-14M-40	38	4FB	2517	Cast Iron	169.34	166.60	183.00	-	130	54	45	4.50	5.40
40-14M-40	40	4FB	2517	Cast Iron	178.28	175.49	188.00	-	138	54	45	4.50	6.00
44-14M-40	44	4FB	3020	Cast Iron	196.08	193.28	211.00	-	155	54	51	1.50	7.80
48-14M-40	48	4FB	3020	Cast Iron	213.90	211.11	226.00	-	170	54	51	1.50	9.40
56-14M-40	56	4FW	3020	Cast Iron	249.55	246.76	256.00	170	208	54	51	1.50	10.10
64-14M-40	64	4FW	3020	Cast Iron	285.21	282.41	296.00	170	242	54	51	1.50	13.40
72-14M-40	72	9B	3020	Cast Iron	320.86	318.06	-	170	280	54	51	1.50	15.20
80-14M-40	80	9A	3020	Cast Iron	356.51	353.71	-	170	315	54	51	1.50	16.00
90-14M-40	90	9A	3020	Cast Iron	401.07	398.28	-	170	360	54	51	1.50	17.80
112-14M-40	112	9A	3020	Cast Iron	499.11	496.32	-	170	457	54	51	1.50	25.60
144-14M-40	144	9A	3020	Cast Iron	641.71	638.92	-	170	600	54	51	1.50	32.00
168-14M-40	168	9A	3020	Cast Iron	748.66	745.87	-	170	706	54	51	1.50	44.00
192-14M-40	192	9A	3020	Cast Iron	855.62	852.82	-	170	813	54	51	1.50	49.00
216-14M-40	216	9A	3020	Cast Iron	962.57	959.76	-	170	920	54	51	1.50	55.00

## HTD® Taper Bore

### 14mm Pitch 14M-55 (55mm Wide Belt)

Product Description	Number of Teeth	Type	Bush Size	Material	Dp	De	Df	Dm	Di	F	S	R	Weight Kg
28-14M-55	28	4FB	2012	Cast Iron	124.78	122.12	127.00	-	98	70	32	19.00	2.20
29-14M-55	29	4FB	2012	Cast Iron	129.23	126.57	138.00	-	100	70	32	19.00	2.74
30-14M-55	30	4FB	2517	Cast Iron	133.69	130.99	138.00	-	100	70	45	12.50	2.70
32-14M-55	32	4FB	2517	Cast Iron	142.60	139.88	154.00	-	108	70	45	12.50	3.66
34-14M-55	34	4FB	2517	Cast Iron	151.52	148.79	160.00	-	110	70	45	12.50	4.55
36-14M-55	36	4FB	2517	Cast Iron	160.43	157.68	168.00	-	120	70	45	12.50	5.20
38-14M-55	38	4FB	2517	Cast Iron	169.34	166.60	183.00	-	130	70	45	12.50	6.20
40-14M-55	40	4FB	2517	Cast Iron	178.25	175.49	188.00	-	138	70	45	12.50	7.00
44-14M-55	44	4FB	3020	Cast Iron	196.08	193.28	211.00	-	155	70	51	9.50	8.60
48-14M-55	48	4FB	3020	Cast Iron	213.90	211.11	226.00	-	170	70	51	9.50	10.40
56-14M-55	56	4FW	3020	Cast Iron	249.55	246.76	256.00	170	208	70	51	9.50	12.00
64-14M-55	64	4FW	3020	Cast Iron	285.21	282.41	296.00	170	242	70	51	9.50	14.50
72-14M-55	72	9B	3020	Cast Iron	320.86	318.06	-	170	280	70	51	9.50	16.20
80-14M-55	80	9A	3020	Cast Iron	356.51	353.71	-	170	315	70	51	9.50	17.50
90-14M-55	90	9A	3020	Cast Iron	401.07	398.28	-	170	360	70	51	9.50	20.10
112-14M-55	112	9A	3020	Cast Iron	499.11	496.32	-	170	457	70	51	9.50	28.40
144-14M-55	144	9A	3020	Cast Iron	641.71	638.92	-	170	600	70	51	9.50	36.20
168-14M-55	168	9A	3020	Cast Iron	748.66	745.87	-	170	706	70	51	9.50	49.00
192-14M-55	192	9A	3020	Cast Iron	855.62	852.82	-	170	813	70	51	9.50	53.00
216-14M-55	216	7A	3535	Cast Iron	962.57	959.76	-	190	920	70	89	9.50	65.90



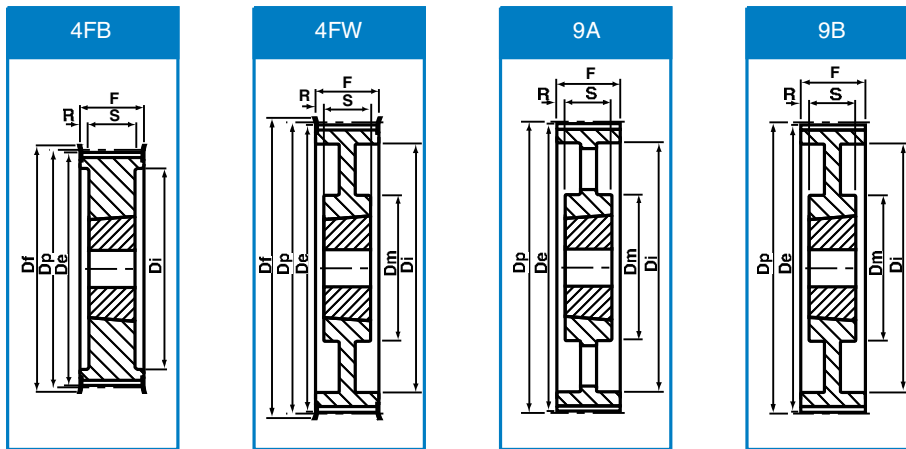
### 14mm Pitch 14M-85 (85mm Wide Belt)

Product Description	Number of Teeth	Type	Bush Size	Material	Dp	De	Df	Dm	Di	F	S	R	Weight Kg
28-14M-85	28	4FB	2517	Cast Iron	124.78	122.12	127.00	-	98	102	45	28.50	2.70
29-14M-85	29	4FB	2517	Cast Iron	129.23	126.57	138.00	-	100	102	45	28.50	3.40
30-14M-85	30	4FB	2517	Cast Iron	133.69	130.99	138.00	-	100	102	45	28.50	3.75
32-14M-85	32	4FB	2517	Cast Iron	142.60	139.88	154.00	-	108	102	45	28.50	4.80
34-14M-85	34	4FB	2517	Cast Iron	151.52	148.79	160.00	-	110	102	45	28.50	6.00
36-14M-85	36	4FB	3020	Cast Iron	160.43	157.68	168.00	-	125	102	51	25.50	5.80
38-14M-85	38	4FB	3020	Cast Iron	169.34	166.60	183.00	-	130	102	51	25.50	6.80
40-14M-85	40	4FB	3020	Cast Iron	178.25	175.49	188.00	-	138	102	51	25.50	8.00
44-14M-85	44	4FB	3030	Cast Iron	196.08	193.28	211.00	-	155	102	76	13.00	11.80
48-14M-85	48	4FB	3030	Cast Iron	213.90	211.11	226.00	-	170	102	76	13.00	15.10
56-14M-85	56	4FB	3535	Cast Iron	249.55	246.76	256.00	190	210	102	89	6.50	18.00
64-14M-85	64	4FW	3535	Cast Iron	285.21	282.41	296.00	190	242	102	89	6.50	23.00
72-14M-85	72	9B	3535	Cast Iron	320.86	318.06	-	190	280	102	89	6.50	25.00
80-14M-85	80	9A	3535	Cast Iron	356.51	353.71	-	190	315	102	89	6.50	26.00
90-14M-85	90	9A	3535	Cast Iron	401.07	398.28	-	190	360	102	89	6.50	28.00
112-14M-85	112	9A	3535	Cast Iron	499.11	496.32	-	190	457	102	89	6.50	36.50
144-14M-85	144	9A	3535	Cast Iron	641.71	638.92	-	190	600	102	89	6.50	48.00
168-14M-85	168	9A	3535	Cast Iron	748.66	745.87	-	190	706	102	89	6.50	60.00
192-14M-85	192	3A	4040	Cast Iron	855.62	852.82	-	230	813	102	102	-	86.00
216-14M-85	216	3A	4040	Cast Iron	962.57	959.76	-	230	920	102	102	-	91.50

## HTD® Taper Bore

### 14mm Pitch 14M-115 (115mm Wide Belt)

Product Description	Number of Teeth	Type	Bush Size	Material	Dp	De	Df	Dm	Di	F	S	R	Weight Kg
28-14M-115	28	4FB	2517	Cast Iron	124.78	122.12	127.00	-	98	133	45	44.00	3.70
29-14M-115	29	4FB	2517	Cast Iron	129.23	126.57	138.00	-	100	133	45	44.00	4.00
30-14M-115	30	4FB	2517	Cast Iron	133.69	130.99	138.00	-	100	133	45	44.00	5.00
32-14M-115	32	4FB	2517	Cast Iron	142.60	139.88	154.00	-	108	133	45	44.00	6.80
34-14M-115	34	4FB	2517	Cast Iron	151.52	148.79	160.00	-	110	133	45	44.00	6.80
36-14M-115	36	4FB	3020	Cast Iron	160.43	157.68	168.00	-	125	133	51	41.00	7.00
38-14M-115	38	4FB	3020	Cast Iron	169.34	166.60	183.00	-	130	133	51	41.00	8.40
40-14M-115	40	4FB	3020	Cast Iron	178.25	175.49	188.00	-	140	133	51	41.00	9.20
44-14M-115	44	4FB	3030	Cast Iron	196.08	193.28	211.00	-	155	133	76	28.50	14.00
48-14M-115	48	4FB	3030	Cast Iron	213.90	211.11	226.00	-	170	133	76	28.50	17.10
56-14M-115	56	4FB	3535	Cast Iron	249.55	246.76	265.00	-	210	133	89	22.00	24.80
64-14M-115	64	4FW	3535	Cast Iron	285.21	282.41	296.00	190	242	133	89	22.00	27.00
72-14M-115	72	9B	3535	Cast Iron	320.86	318.06	-	190	280	133	89	22.00	29.00
80-14M-115	80	9A	3535	Cast Iron	356.51	353.71	-	190	315	133	89	22.00	32.00
90-14M-115	90	9A	3535	Cast Iron	401.07	398.28	-	190	360	133	89	22.00	36.50
112-14M-115	112	9A	3535	Cast Iron	499.11	496.32	-	190	457	133	89	22.00	46.00
144-14M-115	144	9A	4040	Cast Iron	641.71	638.92	-	230	600	133	102	15.50	68.00
168-14M-115	168	9A	4040	Cast Iron	748.66	745.87	-	230	706	133	102	15.50	82.60
192-14M-115	192	9A	4040	Cast Iron	855.62	852.82	-	230	813	133	102	15.50	96.00
216-14M-115	216	9A	4040	Cast Iron	962.57	959.76	-	230	920	133	102	15.50	107.00



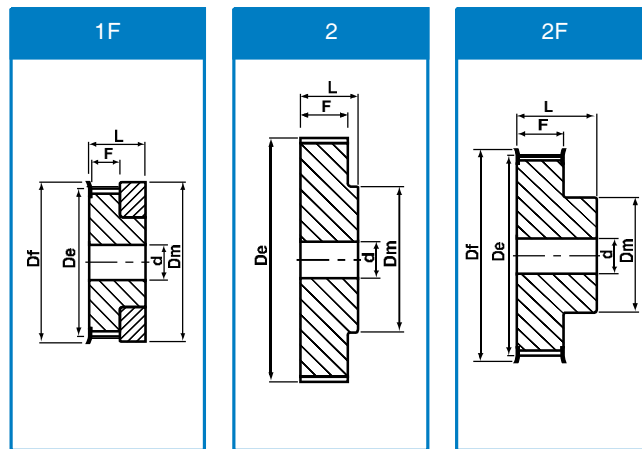
### 14mm Pitch 14M-170 (170mm Wide Belt)

Product Description	Number of Teeth	Type	Bush Size	Material	Dp	De	Df	Dm	Di	F	S	R	Weight Kg
38-14M-170	38	4FB	3030	Cast Iron	169.34	166.60	183.00	-	130	187	76	55.50	11.70
40-14M-170	40	4FB	3030	Cast Iron	178.25	175.49	188.00	-	140	187	76	55.50	13.00
44-14M-170	44	4FB	3535	Cast Iron	196.08	193.28	211.00	-	155	187	89	49.00	15.00
48-14M-170	48	4FB	3535	Cast Iron	213.90	211.11	226.00	-	175	187	89	49.00	19.00
56-14M-170	56	4FB	3535	Cast Iron	249.55	246.76	256.00	-	210	187	89	49.00	28.50
64-14M-170	64	4FB	4040	Cast Iron	285.21	282.41	296.00	-	240	187	102	42.50	41.00
72-14M-170	72	9B	4040	Cast Iron	320.86	318.06	-	230	280	187	102	42.50	46.90
80-14M-170	80	9B	4040	Cast Iron	356.51	353.71	-	230	315	187	102	42.50	48.00
90-14M-170	90	9A	4040	Cast Iron	401.07	398.28	-	230	360	187	102	42.50	52.50
112-14M-170	112	9A	5050	Cast Iron	499.11	496.32	-	265	456	187	127	30.00	74.50
144-14M-170	144	9A	5050	Cast Iron	641.71	638.92	-	265	600	187	127	30.00	91.00
168-14M-170	168	9A	5050	Cast Iron	748.66	745.87	-	265	706	187	127	30.00	116.00
192-14M-170	192	9A	5050	Cast Iron	855.62	852.82	-	265	813	187	127	30.00	134.00
216-14M-170	216	9A	5050	Cast Iron	962.57	959.76	-	265	920	187	127	30.00	146.50

# Metric Timing Pilot Bore

PITCH = 2.5mm BELT WIDTH = 6mm T2.5

Teeth	Type	De	Df	Dm	F	L	d	kg
12	1F	9.00	13.0	12.0	9.0	16	4	0.003
14	1F	10.60	15.0	14.0	9.0	16	4	0.004
15	1F	11.40	15.0	15.0	9.0	16	4	0.005
18	2F	13.80	17.5	10.0	10.0	16	4	0.006
19	2F	14.60	18.0	10.0	10.0	16	4	0.007
20	2F	15.40	19.5	12.0	10.0	16	4	0.008
24	2F	18.55	23.0	12.0	10.0	16	4	0.012
25	2F	19.35	23.0	14.0	10.0	16	4	0.013
30	2F	23.35	28.0	16.0	10.0	16	6	0.018
32	2F	24.95	32.0	16.0	10.0	16	6	0.020
36	2F	28.10	37.0	20.0	10.0	16	6	0.026
40	2F	31.30	38.0	22.0	10.0	16	6	0.032
48	2	37.70	-	26.0	10.0	16	6	0.048
60	2	47.25	-	34.0	10.0	16	8	0.073



## Metric Timing Pilot Bore

### PITCH = 5mm BELT WIDTH = 10mm T5

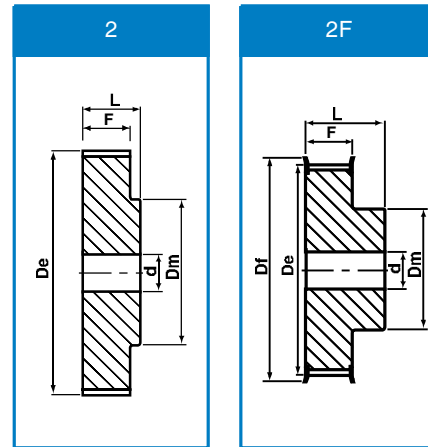
Teeth	Type	De	Df	Dm	F	L	d	kg
10	2F	15.05	19.5	8.0	15.0	21	6	0.012
12	2F	18.25	23.0	11.0	15.0	21	6	0.016
14	2F	21.45	25.0	14.0	15.0	21	6	0.019
15	2F	23.05	28.0	16.0	15.0	21	6	0.021
16	2F	24.60	32.0	18.0	15.0	21	6	0.025
18	2F	27.80	32.0	20.0	15.0	21	6	0.031
19	2F	29.40	36.0	22.0	15.0	21	6	0.036
20	2F	31.00	36.0	23.0	15.0	21	6	0.038
22	2F	34.15	38.0	24.0	15.0	21	6	0.046
24	2F	37.40	42.0	26.0	15.0	21	6	0.054
25	2F	38.95	44.0	26.0	15.0	21	6	0.058
26	2F	40.60	44.0	26.0	15.0	21	6	0.061
27	2F	42.20	48.0	30.0	15.0	21	8	0.064
28	2F	43.75	48.0	32.0	15.0	21	8	0.068
30	2F	46.95	51.0	34.0	15.0	21	8	0.075
32	2F	50.10	54.0	38.0	15.0	21	8	0.088
36	2F	56.45	63.0	38.0	15.0	21	8	0.114
40	2F	62.85	66.0	40.0	15.0	21	8	0.138
42	2F	66.00	71.0	40.0	15.0	21	8	0.160
44	2	69.20	-	45.0	15.0	21	8	0.174
48	2	75.55	-	50.0	15.0	21	8	0.200
60	2	94.65	-	65.0	15.0	21	8	0.307

### PITCH = 5mm BELT WIDTH = 16mm T5

Teeth	Type	De	Df	Dm	F	L	d	kg
10	2F	15.05	19.5	8.0	21.0	27	6	0.016
12	2F	18.25	23.0	11.0	21.0	27	6	0.022
14	2F	21.45	25.0	14.0	21.0	27	6	0.026
15	2F	23.05	28.0	16.0	21.0	27	6	0.029
16	2F	24.60	32.0	18.0	21.0	27	6	0.035
18	2F	27.80	32.0	20.0	21.0	27	6	0.043
19	2F	29.40	36.0	22.0	21.0	27	6	0.049
20	2F	31.00	36.0	23.0	21.0	27	6	0.053
22	2F	34.15	38.0	24.0	21.0	27	6	0.065
24	2F	37.40	42.0	26.0	21.0	27	6	0.076
25	2F	38.95	44.0	26.0	21.0	27	6	0.082
26	2F	40.60	44.0	26.0	21.0	27	6	0.085
27	2F	42.20	48.0	30.0	21.0	27	8	0.090
28	2F	43.75	48.0	32.0	21.0	27	8	0.098
30	2F	46.95	51.0	34.0	21.0	27	8	0.105
32	2F	50.10	54.0	38.0	21.0	27	8	0.123
36	2F	56.45	63.0	38.0	21.0	27	8	0.160
40	2F	62.85	66.0	40.0	21.0	27	8	0.193
42	2F	66.00	71.0	40.0	21.0	27	8	0.215
44	2	69.20	-	45.0	21.0	27	8	0.234
48	2	75.55	-	50.0	21.0	27	8	0.280
60	2	94.65	-	65.0	21.0	27	8	0.430

### PITCH = 5mm BELT WIDTH = 25mm T5

Teeth	Type	De	Df	Dm	F	L	d	kg
10	2F	15.05	19.5	8.0	30.0	36	6	0.023
12	2F	18.25	23.0	11.0	30.0	36	6	0.031
14	2F	21.45	25.0	14.0	30.0	36	6	0.037
15	2F	23.05	28.0	16.0	30.0	36	6	0.041
16	2F	24.60	32.0	18.0	30.0	36	6	0.050
18	2F	27.80	32.0	20.0	30.0	36	6	0.061
19	2F	29.40	36.0	22.0	30.0	36	6	0.070
20	2F	31.00	36.0	23.0	30.0	36	6	0.076
22	2F	34.15	38.0	24.0	30.0	36	6	0.090
24	2F	37.40	42.0	26.0	30.0	36	6	0.109
25	2F	38.95	44.0	26.0	30.0	36	6	0.116
26	2F	40.60	44.0	26.0	30.0	36	6	0.124
27	2F	42.20	48.0	30.0	30.0	36	8	0.128
28	2F	43.75	48.0	32.0	30.0	36	8	0.140
30	2F	46.95	51.0	34.0	30.0	36	8	0.150
32	2F	50.10	54.0	38.0	30.0	36	8	0.176
36	2F	56.45	63.0	38.0	30.0	36	8	0.230
40	2F	62.85	66.0	40.0	30.0	36	8	0.276
42	2F	66.00	71.0	40.0	30.0	36	8	0.310
44	2	69.20	-	45.0	30.0	36	8	0.344
48	2	75.55	-	50.0	30.0	36	8	0.400
60	2	94.65	-	65.0	30.0	36	8	0.614



# Metric Timing Pilot Bore

**PITCH = 10mm BELT WIDTH = 16mm T10**

Teeth	Type	De	Df	Dm	F	L	d	kg
12	2F	36.35	42.0	28.0	21.0	31	6	0.076
14	2F	42.70	48.0	32.0	21.0	31	8	0.104
15	2F	45.90	51.0	32.0	21.0	31	8	0.116
16	2F	49.10	54.0	35.0	21.0	31	8	0.134
18	2F	55.45	60.0	40.0	21.0	31	8	0.167
19	2F	58.65	66.0	44.0	21.0	31	8	0.184
20	2F	61.80	66.0	46.0	21.0	31	8	0.208
22	2F	68.20	75.0	52.0	21.0	31	8	0.249
24	2F	74.55	83.0	58.0	21.0	31	8	0.288
25	2F	77.75	83.0	60.0	21.0	31	8	0.310
26	2F	80.90	87.0	60.0	21.0	31	8	0.337
27	2F	84.10	91.0	60.0	21.0	31	8	0.364
28	2F	87.25	93.0	60.0	21.0	31	8	0.399
30	2F	93.65	97.0	60.0	21.0	31	8	0.441
32	2F	100.00	106.0	65.0	21.0	31	10	0.493
36	2F	112.75	119.0	70.0	21.0	31	10	0.623
40	2F	125.45	131.0	80.0	21.0	31	10	0.767
44	2	138.20	-	88.0	21.0	31	10	0.932
48	2	150.95	-	95.0	21.0	31	16	1.090
60	2	189.10	-	110.0	21.0	31	16	1.701

**PITCH = 10mm BELT WIDTH = 25mm T10**

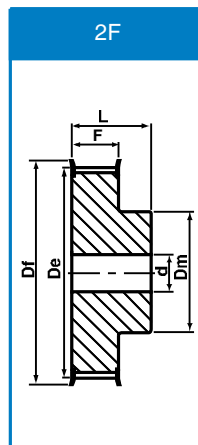
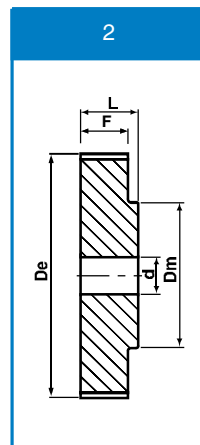
Teeth	Type	De	Df	Dm	F	L	d	kg
12	2F	36.35	42.0	28.0	30.0	40	6	0.099
14	2F	42.70	48.0	32.0	30.0	40	8	0.134
15	2F	45.90	51.0	32.0	30.0	40	8	0.152
16	2F	49.10	54.0	35.0	30.0	40	8	0.176
18	2F	55.45	60.0	40.0	30.0	40	8	0.224
19	2F	58.65	66.0	44.0	30.0	40	8	0.247
20	2F	61.80	66.0	46.0	30.0	40	8	0.276
22	2F	68.20	75.0	52.0	30.0	40	8	0.378
24	2F	74.55	83.0	58.0	30.0	40	8	0.392
25	2F	77.75	83.0	60.0	30.0	40	8	0.422
26	2F	80.90	87.0	60.0	30.0	40	8	0.485
27	2F	84.10	91.0	60.0	30.0	40	8	0.536
28	2F	87.25	93.0	60.0	30.0	40	8	0.585
30	2F	93.65	97.0	60.0	30.0	40	8	0.640
32	2F	100.00	106.0	65.0	30.0	40	10	0.693
36	2F	112.75	119.0	70.0	30.0	40	10	0.873
40	2F	125.45	131.0	80.0	30.0	40	10	1.067
44	2	138.20	-	88.0	30.0	40	10	1.310
48	2	150.95	-	95.0	30.0	40	16	1.516
60	2	189.10	-	110.0	30.0	40	16	2.339

**PITCH = 10mm BELT WIDTH = 30mm T10**

Teeth	Type	De	Df	Dm	F	L	d	kg
18	2F	55.45	60.0	40.0	37.0	47	10	0.422
19	2F	58.65	66.0	44.0	37.0	47	10	0.466
20	2F	61.80	66.0	46.0	37.0	47	12	0.520
22	2F	68.20	75.0	52.0	37.0	47	12	0.631
24	2F	74.55	83.0	58.0	37.0	47	12	0.736
25	2F	77.75	83.0	60.0	37.0	47	12	0.766
26	2F	80.90	87.0	60.0	37.0	47	12	0.847
27	2F	84.10	91.0	60.0	37.0	47	12	0.946
28	2F	87.25	93.0	60.0	37.0	47	12	1.074
30	2F	93.65	97.0	60.0	37.0	47	12	1.169
32	2F	100.00	106.0	65.0	37.0	47	12	1.300
36	2F	112.75	119.0	70.0	37.0	47	16	1.637
40	2F	125.45	131.0	80.0	37.0	47	16	1.999
44	2	138.20	-	88.0	37.0	47	16	2.386
48	2	150.95	-	95.0	37.0	47	16	2.830
60	2	189.10	-	110.0	37.0	47	16	4.366

**PITCH = 10mm BELT WIDTH = 50mm T10**

Teeth	Type	De	Df	Dm	F	L	d	Kg
18	2F	55.45	60.0	40.0	56.0	66	10	
19	2F	58.65	66.0	44.0	56.0	66	10	
20	2F	61.80	66.0	46.0	56.0	66	12	
22	2F	68.20	75.0	52.0	56.0	66	12	
24	2F	74.15	83.0	58.0	56.0	66	12	
25	2F	77.75	83.0	60.0	56.0	66	12	
26	2F	80.90	87.0	60.0	56.0	66	12	
27	2F	84.10	91.0	60.0	56.0	66	12	
28	2F	87.25	93.0	60.0	56.0	66	12	
30	2F	93.65	97.0	60.0	56.0	66	12	
32	2F	100.00	106.0	65.0	56.0	66	12	
36	2F	112.75	119.0	75.0	56.0	66	16	
40	2F	125.45	131.0	80.0	56.0	66	16	
44	2	138.20	-	88.0	56.0	66	16	
48	2	150.95	-	95.0	56.0	66	16	
60	2	189.10	-	110.0	56.0	60	16	





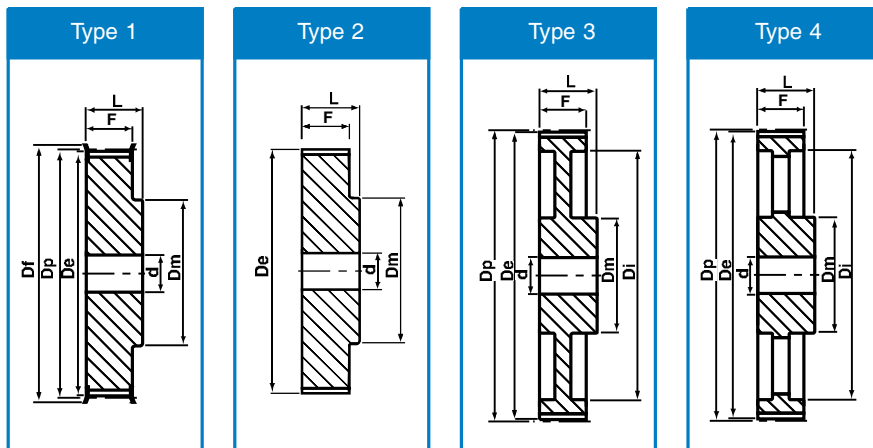
# Timing Pilot Bore

**PITCH 1/5" (5.08 mm) XL037**

Teeth	Type	De	Dp	Df	Dm	F	L	d
10	1	15.66	16.17	23.0	9.5	14.3	20	6
11	1	17.28	17.79	23.0	9.5	14.3	20	6
12	1	18.90	19.40	25.0	10.0	14.3	20	6
13	1	20.51	21.02	25.0	10.0	14.3	20	6
14	1	22.13	22.64	28.0	15.0	14.3	20	6
15	1	23.75	24.26	28.0	16.0	14.3	20	6
16	1	25.36	25.87	32.0	20.0	14.3	20	6
17	1	26.98	27.49	32.0	20.0	14.3	20	6
18	1	28.60	29.11	35.0	20.0	14.3	20	6
19	1	30.22	30.72	35.0	23.5	14.3	22	6
20	1	31.83	32.34	38.0	23.5	14.3	22	6
21	1	33.45	33.96	38.0	25.0	14.3	22	6
22	1	35.07	35.57	41.0	25.0	14.3	22	6
23	1	36.68	37.19	41.0	30.0	14.3	22	8
24	1	38.30	38.81	44.0	30.0	14.3	22	8
25	1	39.92	40.43	44.0	30.0	14.3	22	8
26	1	41.53	42.04	48.0	34.0	14.3	22	8
27	1	43.15	43.66	48.0	34.0	14.3	22	8
28	1	44.77	45.28	51.0	38.0	14.3	22	8
29	1	46.39	46.90	51.0	38.0	14.3	22	8
30	1	48.00	48.51	54.0	38.0	14.3	22	8
32	1	51.24	51.74	57.0	38.0	14.3	25	8
34	1	54.47	54.98	61.0	45.0	14.3	25	8
35	1	56.09	56.60	61.0	45.0	14.3	25	8
36	2	57.70	58.21	-	45.0	14.3	25	8
38	2	60.94	61.45	-	45.0	14.3	25	8
39	2	62.56	63.06	-	45.0	14.3	25	8
40	2	64.17	64.68	-	45.0	14.3	25	8
42	2	67.41	67.91	-	45.0	14.3	25	8
44	2	70.64	71.15	-	45.0	14.3	25	8
45	2	72.26	72.77	-	45.0	14.3	25	10
48	3	77.11	77.62	-	45.0	14.3	25	10
52	3	83.58	84.08	-	45.0	14.3	25	10
56	3	90.04	90.55	-	45.0	14.3	25	10
57	3	91.66	92.17	-	45.0	14.3	25	10
60	3	96.51	97.02	-	45.0	14.3	25	10
68	3	109.45	109.96	-	45.0	14.3	25	10
70	3	112.68	113.19	-	45.0	14.3	25	10
72	3	115.92	116.42	-	45.0	14.3	25	10

**PITCH 3/8" (9.525 mm) L050**

Teeth	Type	De	Dp	Df	Dm	F	L	d
10	1	29.56	30.33	37.0	20.0	19.0	28	8
11	1	32.59	33.35	37.0	22.0	19.0	30	8
12	1	35.62	36.37	43.0	24.0	19.0	30	8
13	1	38.65	39.41	43.0	28.0	19.0	30	8
14	1	41.68	42.44	48.0	28.0	19.0	30	10
15	1	44.72	45.48	51.0	34.0	19.0	30	10
16	1	47.75	48.51	54.0	36.0	19.0	32	10
17	1	50.78	51.54	57.0	36.0	19.0	32	10
18	1	53.81	54.59	60.0	40.0	19.0	32	10
19	1	56.84	57.61	64.0	40.0	19.0	32	10
20	1	59.88	60.63	66.5	40.0	19.0	32	10
21	1	62.91	63.68	70.0	45.0	19.0	32	10
22	1	65.94	66.70	75.0	45.0	19.0	32	10
23	1	68.97	69.73	79.0	55.0	19.0	32	10
24	1	72.00	72.77	79.0	55.0	19.0	32	10
25	1	75.04	75.80	82.5	58.0	19.0	32	10
26	1	78.07	78.84	86.0	58.0	19.0	32	12
27	1	81.10	81.86	87.0	58.0	19.0	32	12
28	1	84.13	84.89	91.0	58.0	19.0	32	12
30	1	90.20	90.96	97.0	70.0	19.0	32	12
32	1	96.26	97.03	102.0	70.0	19.0	32	12
33	1	99.29	100.05	106.0	70.0	19.0	32	12
34	1	102.32	103.08	112.0	70.0	19.0	32	12
35	1	105.35	106.12	112.0	70.0	19.0	32	12
36	1	108.39	109.14	115.0	70.0	19.0	32	12
40	1	120.51	121.29	128.0	70.0	19.0	32	12
42	1	126.57	127.34	135.0	70.0	19.0	32	12
44	1	132.65	133.40	142.0	70.0	19.0	32	12
45	1	135.67	136.44	142.0	70.0	19.0	32	12
48	1	144.77	145.54	150.0	70.0	19.0	32	12
50	4	150.83	151.60	-	70.0	19.0	32	12
56	4	169.02	169.79	-	70.0	19.0	32	14
57	4	172.06	172.82	-	70.0	19.0	32	14
60	4	181.15	181.92	-	75.0	19.0	42	14
68	4	205.41	206.18	-	75.0	19.0	42	14
70	4	211.47	212.24	-	75.0	19.0	42	14
72	4	217.53	218.29	-	75.0	19.0	42	14
84	4	253.92	254.69	-	75.0	19.0	42	14
96	4	290.30	291.06	-	75.0	19.0	42	14



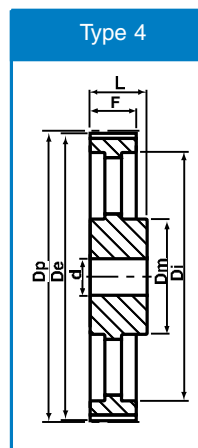
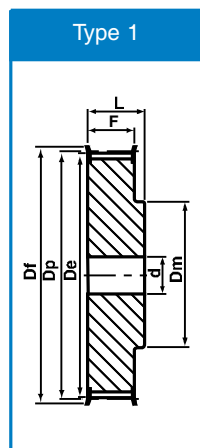
# Timing Pilot Bore

## PITCH 3/8" (9.525 mm) L075

Teeth	Type	De	Dp	Df	Dm	F	L	d
10	1	29.56	30.33	37.0	20.0	25.4	38	8
11	1	32.59	33.35	37.0	22.0	25.4	38	8
12	1	35.62	36.37	43.0	24.0	25.4	38	8
13	1	38.65	39.41	43.0	28.0	25.4	38	8
14	1	41.68	42.44	48.0	28.0	25.4	38	12
15	1	44.72	45.48	51.0	34.0	25.4	38	12
16	1	44.75	48.51	54.0	36.0	25.4	38	12
17	1	50.78	51.54	57.0	36.0	25.4	38	12
18	1	53.81	54.59	60.0	40.0	25.4	38	12
19	1	56.84	57.61	64.0	40.0	25.4	38	12
20	1	59.88	60.63	66.5	40.0	25.4	38	12
21	1	62.91	63.68	70.0	45.0	25.4	38	12
22	1	65.94	66.70	75.0	45.0	25.4	38	12
23	1	68.97	69.73	79.0	55.0	25.4	38	12
24	1	72.00	72.77	79.0	55.0	25.4	38	12
25	1	75.04	75.80	82.5	58.0	25.4	38	12
26	1	78.07	78.84	86.0	58.0	25.4	38	12
27	1	81.10	81.86	87.0	58.0	25.4	38	12
28	1	84.13	84.89	91.0	58.0	25.4	38	12
30	1	90.20	90.96	97.0	70.0	25.4	38	12
32	1	96.26	97.03	102.0	70.0	25.4	38	12
33	1	99.29	100.05	106.0	70.0	25.4	38	12
34	1	102.32	103.08	112.0	70.0	25.4	38	12
35	1	105.35	106.12	112.0	70.0	25.4	38	12
36	1	108.39	109.14	115.0	70.0	25.4	38	12
38	1	114.46	115.22	120.0	70.0	25.4	38	12
40	1	120.51	121.29	128.0	70.0	25.4	38	12
42	1	126.57	127.34	135.0	70.0	25.4	38	12
44	1	132.64	133.40	142.0	70.0	25.4	38	12
45	1	135.67	136.44	142.0	70.0	25.4	38	12
48	1	144.77	145.54	150.0	70.0	25.4	38	12
50	4	150.83	151.60	-	70.0	25.4	38	14
52	4	156.90	157.66	-	70.0	25.4	38	14
56	4	169.02	169.79	-	70.0	25.4	38	14
57	4	172.06	172.82	-	70.0	25.4	38	14
60	4	181.15	181.92	-	75.0	25.4	38	14
70	4	211.47	212.23	-	75.0	25.4	45	14
72	4	217.53	218.29	-	75.0	25.4	45	14
84	4	253.92	254.69	-	75.0	25.4	45	14
96	4	290.30	291.06	-	75.0	25.4	45	14

## PITCH 3/8" (9.525 mm) L100

Teeth	Type	De	Dp	Df	Dm	F	L	d
10	1	29.56	30.33	37.0	20.0	31.8	45	8
11	1	32.59	33.35	37.0	22.0	31.8	45	8
12	1	35.62	36.37	43.0	24.0	31.8	45	8
13	1	38.65	39.41	43.0	28.0	31.8	45	8
14	1	41.68	42.44	48.0	28.0	31.8	45	12
15	1	44.72	45.48	51.0	34.0	31.8	45	12
16	1	47.75	48.51	54.0	36.0	31.8	45	12
17	1	50.78	51.54	57.0	36.0	31.8	45	12
18	1	53.81	54.59	60.0	40.0	31.8	45	12
19	1	56.84	57.61	64.0	40.0	31.8	45	12
20	1	59.88	60.63	66.5	40.0	31.8	45	12
21	1	62.91	63.68	70.0	45.0	31.8	45	14
22	1	65.94	66.70	75.0	45.0	31.8	45	14
23	1	68.97	69.73	79.0	55.0	31.8	45	14
24	1	72.00	72.77	79.0	55.0	31.8	45	14
25	1	75.04	75.80	82.5	58.0	31.8	45	14
26	1	78.07	78.84	86.0	58.0	31.8	45	14
27	1	81.10	81.86	87.0	58.0	31.8	45	14
28	1	84.13	84.89	91.0	58.0	31.8	45	14
30	1	90.20	90.96	97.0	70.0	31.8	45	14
32	1	96.26	97.03	102.0	70.0	31.8	45	14
33	1	99.29	100.05	106.0	70.0	31.8	45	14
34	1	102.32	103.08	112.0	70.0	31.8	45	14
35	1	105.35	106.12	112.0	70.0	31.8	45	14
36	1	108.39	109.14	115.0	70.0	31.8	45	14
40	1	120.51	121.29	128.0	70.0	31.8	45	14
42	1	126.57	127.34	135.0	70.0	31.8	45	14
44	1	132.64	133.40	142.0	70.0	31.8	45	14
45	1	135.67	136.44	142.0	70.0	31.8	45	14
48	1	144.77	145.54	150.0	70.0	31.8	45	14
50	4	150.83	151.60	-	70.0	31.8	45	14
52	4	156.90	157.66	-	70.0	31.8	45	14
56	4	169.02	169.79	-	70.0	31.8	45	14
57	4	172.06	172.82	-	70.0	31.8	45	14
60	4	181.15	181.92	-	75.0	31.8	45	14
68	4	205.41	206.17	-	75.0	31.8	45	14
72	4	217.53	218.29	-	75.0	31.8	45	14
84	4	253.92	254.69	-	75.0	31.8	45	14
96	4	290.30	291.06	-	75.0	31.8	45	14



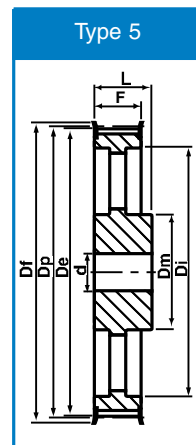
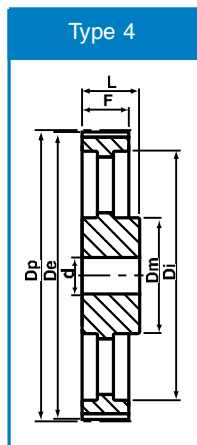
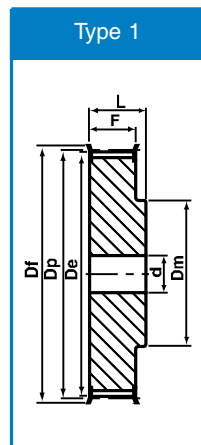
## Timing Pilot Bore

### PITCH 1/2" (12.70 mm) H075

Teeth	Type	De	Dp	Df	Dm	F	L	d
14	1	55.22	56.59	64.0	40.0	26.4	40	12
15	1	59.27	60.64	70.0	45.0	26.4	40	12
16	1	63.31	64.67	70.0	45.0	26.4	40	12
17	1	67.35	68.72	75.0	45.0	26.4	40	12
18	1	71.39	72.77	79.0	55.0	26.4	40	12
19	1	75.44	76.81	82.5	60.0	26.4	40	12
20	1	79.48	80.85	86.0	62.0	26.4	40	12
21	1	83.52	84.89	91.0	65.0	26.4	40	12
22	1	87.56	88.93	94.0	68.0	26.4	40	12
23	1	91.61	92.98	97.0	72.0	26.4	40	12
24	1	95.65	97.03	102.0	72.0	26.4	40	12
25	1	99.69	101.06	106.0	72.0	26.4	40	12
26	1	103.73	105.11	112.0	80.0	26.4	40	12
27	1	107.78	109.15	115.0	80.0	26.4	40	12
28	1	111.82	113.18	120.0	80.0	26.4	40	12
30	1	119.90	121.29	128.0	80.0	26.4	40	12
32	1	127.99	129.30	135.0	80.0	26.4	40	12
33	1	132.03	133.40	142.0	80.0	26.4	40	12
34	1	136.07	137.45	150.0	80.0	26.4	40	12
35	1	140.12	141.49	150.0	80.0	26.4	40	12
36	1	144.16	145.54	150.0	80.0	26.4	40	12
38	1	152.24	153.62	158.0	80.0	26.4	40	12
40	1	160.33	161.70	168.0	80.0	26.4	40	12
42	1	168.41	169.79	184.0	80.0	26.4	40	12
44	4	176.50	177.88	-	80.0	26.4	40	14
48	4	192.67	194.03	-	90.0	26.4	45	14
50	4	200.75	202.13	-	90.0	26.4	45	14

### PITCH 1/2" (12.70 mm) H100

Teeth	Type	De	Dp	Df	Dm	F	L	d
14	1	55.22	56.59	64.0	40.0	31.8	45	12
15	1	59.27	60.64	70.0	45.0	31.8	45	12
16	1	63.31	64.67	70.0	45.0	31.8	45	12
17	1	67.35	68.72	75.0	45.0	31.8	45	12
18	1	71.39	72.77	79.0	55.0	31.8	45	12
19	1	75.44	76.81	82.5	60.0	31.8	45	14
20	1	79.48	80.85	86.0	62.0	31.8	45	14
21	1	83.52	84.89	91.0	65.0	31.8	45	14
22	1	87.56	88.93	94.0	68.0	31.8	45	14
23	1	91.61	92.98	97.0	72.0	31.8	45	14
24	1	95.65	97.03	102.0	72.0	31.8	45	14
25	1	99.69	101.06	106.0	72.0	31.8	45	14
26	1	103.73	105.11	112.0	80.0	31.8	45	14
27	1	107.78	109.15	115.0	80.0	31.8	45	14
28	1	111.82	113.18	120.0	80.0	31.8	45	14
29	1	115.86	117.23	120.0	80.0	31.8	45	14
30	1	119.90	121.29	128.0	80.0	31.8	45	14
32	1	127.99	129.30	135.0	80.0	31.8	45	14
33	1	132.03	133.40	142.0	80.0	31.8	45	14
34	1	136.07	137.45	150.0	80.0	31.8	45	14
35	1	140.12	141.49	150.0	80.0	31.8	45	14
36	1	144.16	145.54	150.0	80.0	31.8	45	14
38	1	152.24	153.62	158.0	80.0	31.8	45	14
40	1	160.33	161.70	168.0	80.0	31.8	45	14
42	1	168.41	169.79	184.0	80.0	31.8	45	14
44	5	176.50	177.88	184.0	80.0	31.8	50	14
45	5	180.54	181.91	192.0	80.0	31.8	50	14
48	5	192.67	194.03	200.0	90.0	31.8	50	14
50	4	200.75	202.13	-	90.0	31.8	50	20
52	4	208.84	210.21	-	90.0	31.8	50	20
57	4	229.05	230.42	-	90.0	31.8	50	20
58	4	233.09	234.47	-	90.0	31.8	50	20
60	4	241.18	242.55	-	120.0	31.8	50	20
68	4	273.53	274.90	-	120.0	31.8	55	20
70	4	281.61	282.98	-	120.0	31.8	55	20
72	4	289.69	291.06	-	120.0	31.8	55	20
84	4	338.20	339.57	-	120.0	31.8	55	20
96	4	386.71	388.09	-	120.0	31.8	60	20
120	4	483.73	485.12	-	120.0	31.8	60	20
150	4	605.01	606.38	-	120.0	31.8	60	20



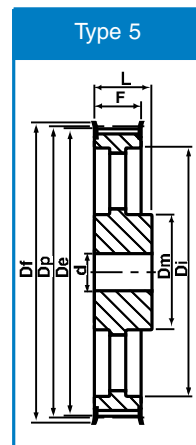
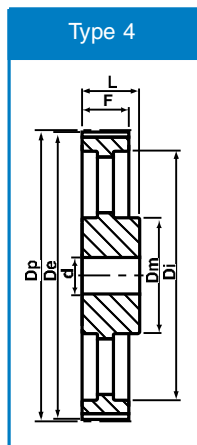
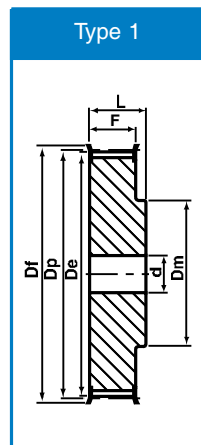
# Timing Pilot Bore

## PITCH 1/2" (12.70 mm) H150

Teeth	Type	De	Dp	Df	Dm	F	L	d
14	1	55.22	56.59	64.0	42.0	46.0	58	20
15	1	59.27	60.64	70.0	45.0	46.0	58	20
16	1	63.31	64.67	70.0	45.0	46.0	58	20
17	1	67.35	68.72	75.0	45.0	46.0	58	20
18	1	71.39	72.77	79.0	55.0	46.0	58	20
19	1	75.44	76.81	82.0	60.0	46.0	58	20
20	1	79.48	80.85	86.0	62.0	46.0	58	20
21	1	83.52	84.89	91.0	65.0	46.0	58	20
22	1	87.56	88.93	94.0	68.0	46.0	58	20
23	1	91.61	92.98	97.0	72.0	46.0	58	20
24	1	95.65	97.03	102.0	72.0	46.0	58	20
25	1	99.69	101.06	106.0	72.0	46.0	58	20
26	1	103.73	105.11	112.0	80.0	46.0	58	20
27	1	107.78	109.15	115.0	80.0	46.0	58	20
28	1	111.82	113.18	120.0	80.0	46.0	58	20
29	1	115.86	117.23	120.0	80.0	46.0	58	20
30	1	119.90	121.29	128.0	80.0	46.0	58	20
32	1	127.99	129.30	135.0	80.0	46.0	58	20
33	1	132.03	133.40	142.0	80.0	46.0	58	20
34	1	136.07	137.45	150.0	80.0	46.0	58	20
35	1	140.12	141.49	150.0	80.0	46.0	58	20
36	1	144.16	145.54	150.0	80.0	46.0	58	20
38	1	152.24	153.62	158.0	80.0	46.0	58	20
40	1	160.33	161.70	168.0	80.0	46.0	58	20
42	1	168.41	169.79	184.0	80.0	46.0	58	20
45	5	180.54	181.91	192.0	80.0	46.0	58	20
48	5	192.67	194.03	200.0	90.0	46.0	58	20
50	4	200.75	202.13	-	90.0	46.0	65	20
52	4	208.84	210.21	-	90.0	46.0	65	20
57	4	229.05	230.43	-	90.0	46.0	65	20
58	4	233.09	234.47	-	90.0	46.0	65	20
60	4	241.18	242.55	-	120.0	46.0	65	20
68	4	273.53	274.91	-	120.0	46.0	65	25
70	4	281.61	282.98	-	120.0	46.0	65	25
72	4	289.69	291.06	-	120.0	46.0	65	25
84	4	338.20	339.57	-	120.0	46.0	65	25
96	4	386.71	388.09	-	120.0	46.0	65	25
120	4	483.73	485.12	-	120.0	46.0	65	25
150	4	605.01	606.38	-	120.0	46.0	65	25

## PITCH 1/2" (12.70 mm) H200

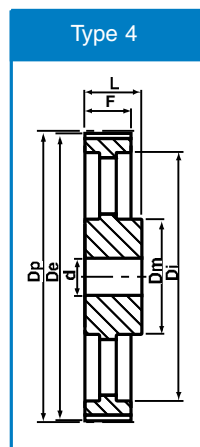
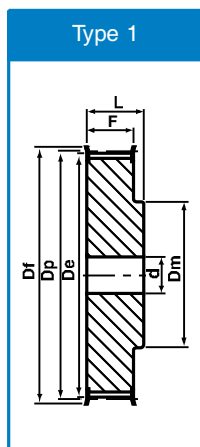
Teeth	Type	De	Dp	Df	Dm	F	L	d
14	1	55.22	56.59	64.0	42.0	58.7	70	20
15	1	59.27	60.64	40.0	45.0	58.7	70	20
16	1	63.31	64.67	70.0	45.0	58.7	70	20
17	1	67.35	68.72	75.0	45.0	58.7	70	20
18	1	71.39	72.77	79.0	55.0	58.7	70	20
19	1	75.44	76.81	82.0	60.0	58.7	70	20
20	1	79.48	80.85	86.0	62.0	58.7	70	20
21	1	83.52	84.89	91.0	65.0	58.7	70	20
22	1	87.56	88.93	94.0	68.0	58.7	70	20
23	1	91.61	92.98	97.0	72.0	58.7	70	20
24	1	95.65	97.03	102.0	72.0	58.7	70	20
25	1	99.69	101.06	106.0	72.0	58.7	70	20
26	1	103.73	105.11	112.0	80.0	58.7	70	20
27	1	107.78	109.15	115.0	80.0	58.7	70	20
28	1	111.82	113.18	120.0	80.0	58.7	70	20
29	1	115.86	117.23	120.0	80.0	58.7	70	20
30	1	119.90	121.29	128.0	80.0	58.7	70	20
32	1	127.99	129.30	135.0	80.0	58.7	70	20
33	1	132.03	133.40	142.0	80.0	58.7	70	20
34	1	136.07	137.45	150.0	80.0	58.7	70	20
35	1	140.12	141.49	150.0	80.0	58.7	70	20
36	1	144.16	145.54	150.0	80.0	58.7	70	20
38	1	152.24	153.62	158.0	80.0	58.7	70	20
40	1	160.33	161.70	168.0	80.0	58.7	70	20
42	1	168.41	169.79	184.0	80.0	58.7	70	20
44	5	176.50	177.88	184.0	80.0	58.7	70	20
45	5	180.54	181.91	192.0	80.0	58.7	70	20
48	5	192.67	194.03	200.0	90.0	58.7	75	25
50	4	200.75	202.13	-	90.0	58.7	75	25
52	4	208.84	210.21	-	90.0	58.7	75	25
57	4	229.05	230.42	-	90.0	58.7	75	25
58	4	233.09	234.47	-	90.0	58.7	75	25
60	4	241.18	242.55	-	120.0	58.7	75	25
68	4	273.53	274.90	-	120.0	58.7	75	28
70	4	281.61	282.98	-	120.0	58.7	75	28
72	4	289.69	291.06	-	120.0	58.7	75	28
84	4	338.20	339.57	-	120.0	58.7	75	28
96	4	386.71	388.09	-	120.0	58.7	75	28
120	4	483.73	485.12	-	120.0	58.7	75	28
150	4	605.01	606.38	-	120.0	58.7	75	28



## Timing Pilot Bore

### PITCH 1/2" (12.70 mm) H300

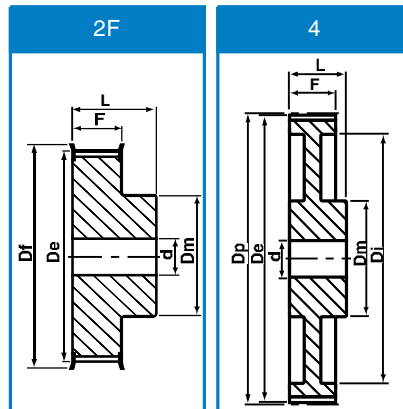
Teeth	Type	De	Dp	Df	Dm	F	L	d
14	1	55.22	56.59	64.0	42.0	85.7	100	20
15	1	59.27	60.64	70.0	45.0	85.7	100	20
16	1	63.31	64.67	70.0	45.0	85.7	100	20
17	1	67.35	68.72	75.0	45.0	85.7	100	20
18	1	71.39	72.77	79.0	55.0	85.7	100	20
19	1	75.44	76.81	82.5	60.0	85.7	100	20
20	1	79.48	80.85	86.0	62.0	85.7	100	20
21	1	83.52	84.89	91.0	65.0	85.7	100	20
22	1	87.56	88.93	94.0	68.0	85.7	100	20
23	1	91.61	92.98	97.0	72.0	85.7	100	20
24	1	95.65	97.03	102.0	72.0	85.7	100	20
25	1	99.69	101.06	106.0	72.0	85.7	100	20
26	1	103.73	105.11	112.0	80.0	85.7	100	20
27	1	107.78	109.15	115.0	80.0	85.7	100	20
28	1	111.82	113.18	120.0	80.0	85.7	100	20
30	1	119.90	121.29	128.0	80.0	85.7	100	20
32	1	127.99	129.30	135.0	80.0	85.7	100	20
33	1	132.03	133.40	142.0	80.0	85.7	100	20
34	1	136.07	137.45	150.0	80.0	85.7	100	20
35	1	140.12	141.49	150.0	80.0	85.7	100	25
36	1	144.16	145.54	150.0	80.0	85.7	100	25
38	1	152.24	153.62	158.0	80.0	85.7	100	25
40	1	160.33	161.70	168.0	80.0	85.7	100	25
42	1	168.41	169.79	184.0	80.0	85.7	100	25
44	4	176.50	177.88	-	90.0	85.7	100	25
45	4	180.54	181.91	-	90.0	85.7	100	25
48	4	192.67	194.03	-	90.0	85.7	100	25
50	4	200.75	202.13	-	90.0	85.7	100	25
52	4	208.84	210.21	-	90.0	85.7	100	25
57	4	229.05	230.47	-	90.0	85.7	100	25
58	4	233.09	234.47	-	90.0	85.7	100	25
60	4	241.18	242.55	-	120.0	85.7	100	25
70	4	281.61	282.98	-	120.0	85.7	100	30
72	4	289.69	291.06	-	120.0	85.7	100	30
84	4	338.20	339.57	-	120.0	85.7	100	30
96	4	386.71	388.09	-	120.0	85.7	100	30
120	4	483.73	485.12	-	120.0	85.7	100	30
150	4	605.01	606.38	-	120.0	85.7	100	30
156	4	629.26	630.64	-	120.0	85.7	100	30



## HTD<sup>®</sup> Pilot Bore

### 5mm Pitch 5M-09 (9mm Wide Belt)

Number of Teeth	Type	De	Dp	Df	Dm	Di	F	L	d	Weight Kg
12	2F	17.96	19.10	23.0	13.0	-	14.5	20.0	6	0.02
14	2F	21.14	22.28	25.0	14.0	-	14.5	20.0	6	0.03
15	2F	22.73	23.87	28.0	16.0	-	14.5	20.0	6	0.04
16	2F	24.32	25.46	28.0	16.5	-	14.5	20.0	6	0.05
18	2F	27.51	28.65	32.0	20.0	-	14.5	20.0	6	0.07
20	2F	30.69	31.83	37.0	23.0	-	14.5	22.5	6	0.09
21	2F	32.28	33.42	38.0	24.0	-	14.5	22.5	6	0.11
22	2F	33.87	35.01	38.0	25.5	-	14.5	22.5	6	0.11
24	2F	37.06	38.20	43.0	27.0	-	14.5	22.5	6	0.14
26	2F	40.24	41.38	44.0	30.0	-	14.5	22.5	6	0.17
28	2F	43.42	44.56	48.0	30.5	-	14.5	22.5	6	0.20
30	2F	46.60	47.75	51.0	35.0	-	14.5	22.5	6	0.23
32	2F	49.79	50.93	54.0	38.0	-	14.5	22.5	8	0.27
36	2F	56.16	57.30	60.0	38.0	-	14.5	22.5	8	0.32
40	2F	62.52	63.66	70.0	38.0	-	14.5	22.5	8	0.40
44	4	68.89	70.03	-	38.0	-	14.5	25.5	8	0.17
48	4	75.25	76.39	-	45.0	-	14.5	25.5	8	0.18
60	4	94.35	95.49	-	45.0	-	14.5	25.5	8	0.23
72	4	113.45	114.59	-	45.0	-	14.5	25.5	8	0.27



### 5mm Pitch 5M-15 (15mm Wide Belt)

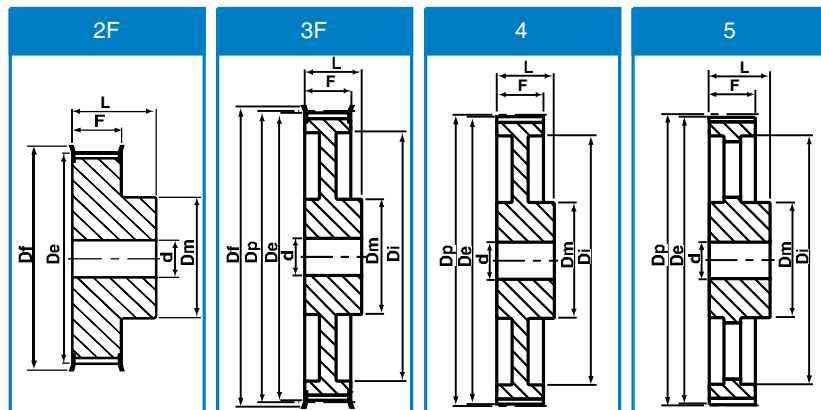
Number of Teeth	Type	De	Dp	Df	Dm	Di	F	L	d	Weight Kg
12	2F	17.96	19.10	23.0	13.0	-	20.5	26.0	6	0.03
14	2F	21.14	22.28	25.0	14.0	-	20.5	26.0	6	0.04
15	2F	22.73	23.87	28.0	16.0	-	20.5	26.0	6	0.05
16	2F	24.32	25.45	28.0	17.0	-	20.5	26.0	6	0.06
18	2F	27.51	28.65	32.0	20.0	-	20.5	26.0	6	0.08
20	2F	30.69	31.83	37.0	23.0	-	20.5	26.0	6	0.11
21	2F	32.28	33.42	38.0	24.0	-	20.5	26.0	6	0.13
22	2F	33.87	35.01	38.0	26.0	-	20.5	26.0	6	0.14
24	2F	37.06	38.20	43.0	27.0	-	20.5	28.0	6	0.18
26	2F	40.24	41.38	44.0	30.0	-	20.5	28.0	6	0.22
28	2F	43.42	44.56	48.0	31.0	-	20.5	28.0	6	0.25
30	2F	46.60	47.75	51.0	35.0	-	20.5	28.0	6	0.30
32	2F	49.79	50.93	54.0	38.0	-	20.5	28.0	8	0.35
36	2F	56.16	57.30	60.0	38.0	-	20.5	28.0	8	0.42
40	2F	62.52	63.66	70.0	38.0	-	20.5	28.0	8	0.52
44	4	68.89	70.03	-	38.0	-	20.5	30.0	8	0.22
48	4	75.25	76.39	-	38.0	-	20.5	30.0	8	0.28
60	4	94.35	95.49	-	50.0	-	20.5	30.0	8	0.30
72	4	113.45	114.59	-	50.0	-	20.5	30.0	8	0.36

All dimensions in millimetres unless otherwise stated. Every effort has been taken to ensure that the data listed in this catalogue is correct. Challenge accepts no liability for any inaccuracies or damage caused

## HTD<sup>®</sup> Pilot Bore

### 5mm Pitch 5M-25 (25mm Wide Belt)

Number of Teeth	Type	De	Dp	Df	Dm	Di	F	L	d	Weight Kg
12	2F	17.96	19.10	23.0	13.0	-	30.5	36.0	6	
14	2F	21.14	22.28	25.0	14.0	-	30.5	36.0	6	
15	2F	22.73	23.87	28.0	16.0	-	30.5	36.0	6	
16	2F	24.32	25.45	28.0	16.5	-	30.5	36.0	6	
18	2F	27.51	28.65	32.0	20.0	-	30.5	36.0	6	
20	2F	30.69	31.83	37.0	23.0	-	30.5	36.0	6	
21	2F	32.28	33.42	38.0	24.0	-	30.5	38.0	6	
22	2F	33.87	35.01	38.0	25.5	-	30.5	38.0	6	
24	2F	37.06	38.20	43.0	27.0	-	30.5	38.0	6	
26	2F	40.24	41.38	44.0	30.0	-	30.5	38.0	6	
28	2F	43.42	44.56	48.0	30.5	-	30.5	38.0	6	
30	2F	46.60	47.75	51.0	35.0	-	30.5	38.0	6	
32	2F	49.79	50.93	54.0	38.0	-	30.5	38.0	8	
36	2F	56.16	57.30	60.0	38.5	-	30.5	38.0	8	
40	2F	62.52	63.66	70.0	38.0	-	30.5	38.0	8	
44	4	68.89	70.03	-	38.0	-	30.5	40.0	8	
48	4	75.25	76.39	-	38.0	-	30.5	40.0	8	
60	4	94.35	95.49	-	50.0	-	30.5	40.0	8	
72	4	113.45	114.59	-	50.0	-	30.5	40.0	8	



### 8mm Pitch 8M-20 (20mm Wide Belt)

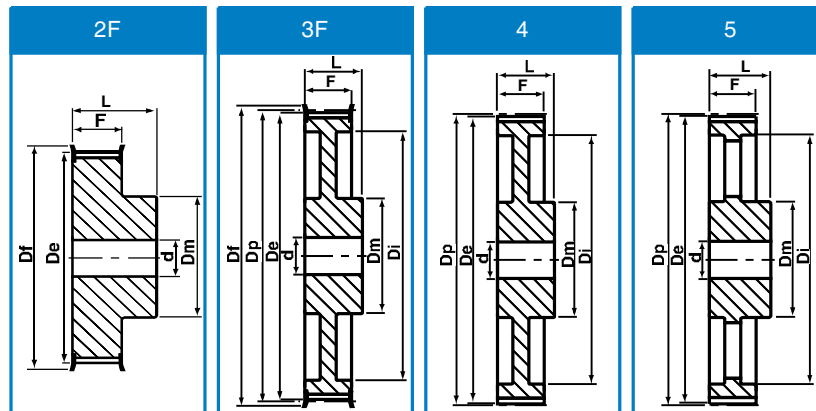
Number of Teeth	Type	De	Dp	Df	Dm	Di	F	L	d	Weight Kg
22	2F	54.65	56.02	60.0	43.0	-	28.0	38	12	0.54
24	2F	59.75	61.12	67.0	45.0	-	28.0	38	12	0.65
26	2F	64.85	66.21	70.0	50.0	-	28.0	38	12	0.80
28	2F	70.08	71.30	75.0	50.0	-	28.0	38	16	0.87
30	2F	75.13	76.39	83.0	55.0	-	28.0	38	16	1.02
32	2F	80.16	81.49	87.0	60.0	-	28.0	38	16	1.20
34	2F	85.22	86.58	91.0	70.0	-	28.0	38	16	1.40
36	2F	90.30	91.67	97.0	70.0	-	28.0	38	16	1.55
38	2F	95.39	96.77	102.0	75.0	-	28.0	38	16	1.65
40	2F	100.49	101.86	106.0	75.0	-	28.0	38	16	1.74
44	2F	110.67	112.05	120.0	75.0	-	28.0	38	16	2.10
48	2F	120.86	122.23	128.0	75.0	-	28.0	38	16	2.44
56	3F	141.23	142.60	150.0	80.0	117	28.0	38	16	2.60
64	3F	161.60	162.97	168.0	80.0	137	28.0	38	16	2.90
72	3F	181.97	183.35	192.0	80.0	158	28.0	38	16	3.10
80	4	202.35	203.72	-	90.0	180	28.0	38	16	3.80
90	4	227.81	229.18	-	90.0	204	28.0	38	16	4.20
112	5	283.83	285.21	-	90.0	260	28.0	38	16	5.20
144	5	365.32	366.69	-	90.0	341	28.0	38	20	7.50
168	5	426.44	427.81	-	100.0	402	28.0	38	20	10.00
192	5	487.55	488.92	-	100.0	463	28.0	38	20	14.40

Every effort has been taken to ensure that the data listed in this catalogue is correct. Challenge accepts no liability for any inaccuracies or damage caused. All dimensions in millimetres unless otherwise stated.

## HTD<sup>®</sup> Pilot Bore

### 8mm Pitch 8M-30 (30mm Wide Belt)

Number of Teeth	Type	De	Dp	Df	Dm	Di	F	L	d	Weight Kg
22	2F	54.65	56.02	60.0	43.0	-	38.0	48	12	0.69
24	2F	59.75	61.12	67.0	45.0	-	38.0	48	12	0.84
26	2F	64.85	66.21	70.0	50.0	-	38.0	48	12	1.00
28	2F	70.08	71.30	75.0	50.0	-	38.0	48	16	1.12
30	2F	75.13	76.39	83.0	55.0	-	38.0	48	16	1.32
32	2F	80.16	81.49	87.0	60.0	-	38.0	48	16	1.53
34	2F	85.22	86.58	91.0	70.0	-	38.0	48	16	1.80
36	2F	90.30	91.67	97.0	70.0	-	38.0	48	16	1.99
38	2F	95.39	96.77	102.0	75.0	-	38.0	48	16	2.27
40	2F	100.49	101.86	106.0	75.0	-	38.0	48	16	2.40
44	2F	110.67	112.05	120.0	75.0	-	38.0	48	16	2.80
48	2F	120.86	122.23	128.0	75.0	-	38.0	48	16	3.20
56	3F	141.23	142.60	150.0	80.0	117	38.0	48	16	3.60
64	3F	161.60	162.97	168.0	80.0	138	38.0	48	16	4.30
72	3F	181.97	183.35	192.0	80.0	158	38.0	48	16	4.80
80	4	202.35	203.72	-	90.0	180	38.0	48	16	5.10
90	4	227.81	229.18	-	90.0	204	38.0	48	16	5.70
112	5	283.83	285.21	-	90.0	260	38.0	48	16	6.80
144	5	365.32	366.69	-	90.0	341	38.0	48	20	9.30
168	5	426.44	427.81	-	100.0	402	38.0	48	20	11.40
192	5	487.55	488.92	-	100.0	463	38.0	48	20	16.00



### 8mm Pitch 8M-50 (50mm Wide Belt)

Number of Teeth	Type	De	Dp	Df	Dm	Di	F	L	d	Weight Kg
22	2F	54.65	56.02	60.0	43.0	-	60.0	70	12	1.00
24	2F	59.75	61.12	67.0	45.0	-	60.0	70	12	1.23
26	2F	64.84	66.21	70.0	50.0	-	60.0	70	12	1.50
28	2F	70.08	71.30	75.0	50.0	-	60.0	70	16	1.67
30	2F	75.13	76.39	83.0	55.0	-	60.0	70	16	1.97
32	2F	80.16	81.49	87.0	60.0	-	60.0	70	16	2.27
34	2F	85.22	86.58	91.0	70.0	-	60.0	70	16	2.69
36	2F	90.30	91.67	97.0	70.0	-	60.0	70	16	2.97
38	2F	95.39	96.77	102.0	75.0	-	60.0	70	16	3.23
40	2F	100.49	101.86	106.0	75.0	-	60.0	70	18	3.50
44	2F	110.67	112.05	120.0	75.0	-	60.0	70	18	3.90
48	2F	120.86	122.23	128.0	80.0	-	60.0	70	18	4.30
56	6F	141.23	142.60	150.0	90.0	117	60.0	60	18	5.00
64	6F	161.60	162.97	168.0	100.0	137	60.0	60	18	5.60
72	6F	181.97	183.35	192.0	100.0	158	60.0	60	18	6.80
80	7	202.35	203.72	-	110.0	180	60.0	60	18	6.90
90	7	227.81	229.18	-	110.0	204	60.0	60	18	8.60
112	7	283.83	285.21	-	110.0	260	60.0	60	18	9.60
144	7	365.32	366.69	-	110.0	341	60.0	60	20	13.80
168	7	426.44	427.81	-	120.0	402	60.0	60	20	16.00
192	7	487.55	488.92	-	130.0	463	60.0	60	20	22.40

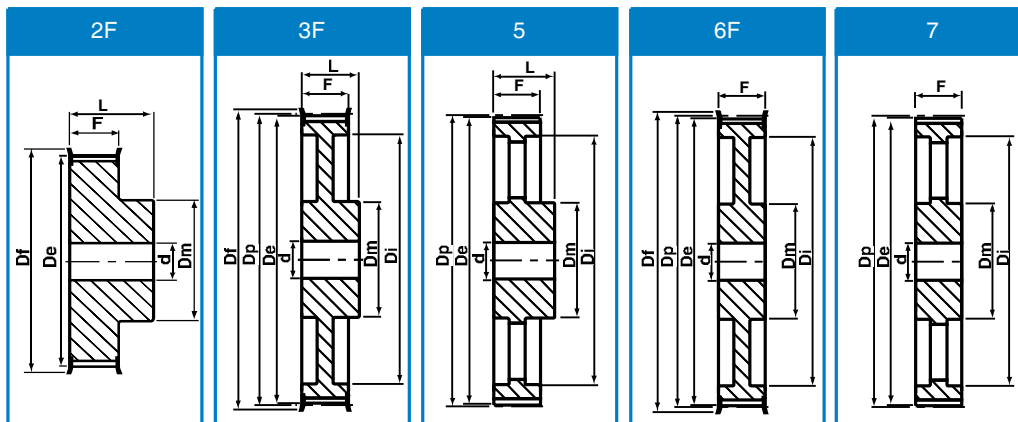
All dimensions in millimetres unless otherwise stated. Every effort has been taken to ensure that the data listed in this catalogue is correct. Challenge accepts no liability for any inaccuracies or damage caused



## HTD® Pilot Bore

### 8mm Pitch 8M-85 (85mm Wide Belt)

Number of Teeth	Type	De	Dp	Df	Dm	Di	F	L	d	Weight Kg
22	2F	54.65	56.02	60.0	43.0	-	95.0	105	12	1.55
24	2F	59.75	61.12	67.0	45.0	-	95.0	105	12	1.90
26	2F	64.84	66.21	70.0	50.0	-	95.0	105	12	2.25
28	2F	70.08	71.30	75.0	50.0	-	95.0	105	16	2.55
30	2F	75.13	76.39	83.0	55.0	-	95.0	105	16	3.00
32	2F	80.16	81.49	87.0	60.0	-	95.0	105	16	3.57
34	2F	85.22	86.58	91.0	70.0	-	95.0	105	16	4.00
36	2F	90.30	91.67	97.0	70.0	-	95.0	105	16	4.50
38	2F	95.39	96.77	102.0	75.0	-	95.0	105	16	4.90
40	2F	100.49	101.86	106.0	75.0	-	95.0	105	16	5.20
44	2F	110.67	112.05	120.0	75.0	-	95.0	105	18	6.60
48	2F	120.86	122.23	128.0	80.0	-	95.0	105	18	7.60
56	2F	141.23	142.60	150.0	90.0	-	95.0	105	18	9.80
64	6F	161.60	162.97	168.0	100.0	137	95.0	95	20	10.40
72	6F	181.97	183.35	192.0	100.0	158	95.0	95	20	11.40
80	7	202.35	203.72	-	110.0	180	95.0	95	20	13.20
90	7	227.81	229.18	-	110.0	204	95.0	95	20	16.30
112	7	283.83	285.21	-	110.0	260	95.0	95	25	21.50
144	7	365.32	366.69	-	110.0	341	95.0	95	25	23.60
168	7	426.44	427.81	-	120.0	402	95.0	95	25	26.10
192	7	487.55	488.92	-	130.0	463	95.0	95	25	30.60



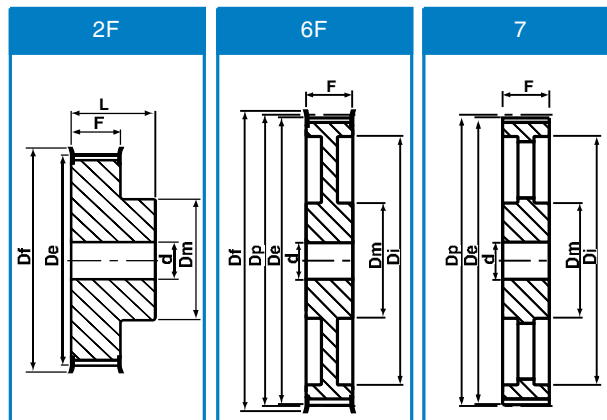
### 14mm Pitch 14M-40 (40mm Wide Belt)

Number of Teeth	Type	De	Dp	Df	Dm	Di	F	L	d	Weight Kg
28	2F	122.12	124.78	128.0	100.0	-	54.0	69	24	4.73
29	2F	126.57	129.23	142.0	100.0	-	54.0	69	24	5.09
30	2F	130.99	133.69	142.0	100.0	-	54.0	69	24	5.45
32	2F	139.88	142.60	158.0	100.0	-	54.0	69	24	6.17
34	2F	148.79	151.52	158.0	100.0	-	54.0	69	24	6.88
36	2F	157.68	160.43	168.0	100.0	-	54.0	69	24	7.60
38	2F	166.60	169.34	184.0	120.0	-	54.0	69	24	8.28
40	2F	175.49	178.25	192.0	120.0	-	54.0	69	24	9.26
44	2F	193.28	196.08	211.0	120.0	-	54.0	69	24	10.32
48	3F	211.11	213.90	226.0	135.0	172	54.0	69	24	11.50
56	3F	246.76	249.55	265.0	135.0	207	54.0	69	28	13.05
64	3F	282.41	285.21	296.0	135.0	242	54.0	69	28	14.40
72	5	318.06	320.86	-	135.0	278	54.0	69	28	16.90
80	5	353.71	356.51	-	135.0	314	54.0	69	28	18.50
90	5	398.28	401.07	-	135.0	358	54.0	69	28	20.00
112	5	496.32	499.11	-	135.0	456	54.0	69	28	26.70
144	5	638.92	641.71	-	135.0	600	54.0	69	28	35.00
168	5	745.87	748.66	-	135.0	706	54.0	69	28	44.20
192	5	852.82	855.62	-	135.0	813	54.0	69	28	52.20
216	5	959.76	962.57	-	150.0	920	54.0	69	28	60.00

## HTD<sup>®</sup> Pilot Bore

### 14mm Pitch 14M-55 (55mm Wide Belt)

Number of Teeth	Type	De	Dp	Df	Dm	Di	F	L	d	Weight Kg
28	2F	122.12	124.78	128.0	100.0	-	70.0	85	24	5.60
29	2F	126.57	129.23	142.0	100.0	-	70.0	85	24	6.10
30	2F	130.99	133.69	142.0	100.0	-	70.0	85	24	6.60
32	2F	139.88	142.60	158.0	100.0	-	70.0	85	24	7.60
34	2F	148.79	151.52	158.0	100.0	-	70.0	85	24	8.60
36	2F	157.68	160.43	168.0	100.0	-	70.0	85	24	9.60
38	2F	166.60	169.34	184.0	120.0	-	70.0	85	24	10.80
40	2F	175.49	178.25	192.0	120.0	-	70.0	85	24	11.20
44	2F	193.28	196.08	211.0	120.0	-	70.0	85	24	12.50
48	6F	211.11	213.90	226.0	135.0	172	70.0	70	24	13.70
56	6F	246.76	249.55	265.0	135.0	207	70.0	70	28	14.50
64	6F	282.41	285.21	296.0	135.0	242	70.0	70	28	15.60
72	7	318.06	320.86	-	135.0	278	70.0	70	28	16.90
80	7	353.71	356.51	-	135.0	314	70.0	70	28	20.00
90	7	398.28	401.07	-	135.0	358	70.0	70	28	22.60
112	7	496.32	499.11	-	135.0	456	70.0	70	28	29.50
144	7	638.92	641.71	-	135.0	600	70.0	70	28	39.00
168	7	745.87	748.66	-	135.0	706	70.0	70	28	48.50
192	7	852.82	855.62	-	135.0	813	70.0	70	28	57.80
216	7	959.76	962.57	-	150.0	920	70.0	70	28	67.0



### 14mm Pitch 14M-85 (85mm Wide Belt)

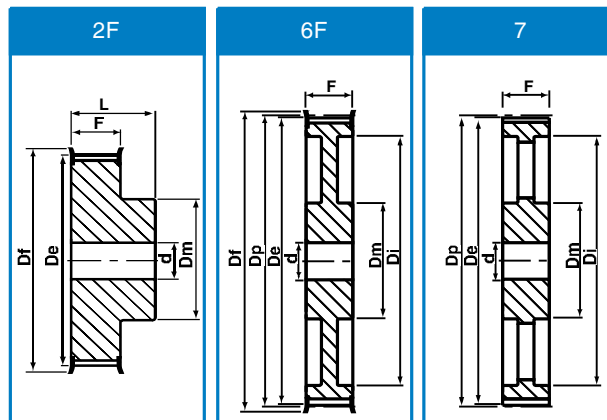
Number of Teeth	Type	De	Dp	Df	Dm	Di	F	L	d	Weight Kg
28	2F	122.12	124.78	128.0	100.0	-	102.0	117	24	7.70
29	2F	126.57	129.23	142.0	100.0	-	102.0	117	24	8.40
30	2F	130.99	133.69	142.0	100.0	-	102.0	117	24	9.10
32	2F	139.88	142.60	158.0	100.0	-	102.0	117	24	10.50
34	2F	148.79	151.52	158.0	100.0	-	102.0	117	24	11.90
36	2F	157.68	160.43	168.0	100.0	-	102.0	117	32	13.20
38	2F	166.60	169.34	184.0	120.0	-	102.0	117	32	15.15
40	2F	175.49	178.25	192.0	135.0	-	102.0	117	32	17.10
44	2F	193.28	196.08	211.0	135.0	-	102.0	117	32	23.30
48	2F	211.11	213.90	226.0	150.0	-	102.0	117	32	25.00
56	6F	246.76	249.55	265.0	150.0	207	102.0	102	32	25.00
64	6F	282.41	285.21	296.0	150.0	242	102.0	102	32	30.50
72	7	318.06	320.86	-	150.0	278	102.0	102	32	28.80
80	7	353.71	356.51	-	150.0	314	102.0	102	32	30.10
90	7	398.28	401.07	-	150.0	358	102.0	102	32	33.00
112	7	496.32	499.11	-	150.0	456	102.0	102	32	41.80
144	7	638.92	641.71	-	150.0	600	102.0	102	32	52.40
168	7	745.87	748.66	-	150.0	706	102.0	102	32	60.30
192	7	852.82	855.62	-	165.0	813	102.0	102	32	70.20
216	7	959.76	962.57	-	165.0	920	102.0	102	32	81.00

All dimensions in millimetres unless otherwise stated. Every effort has been taken to ensure that the data listed in this catalogue is correct. Challenge accepts no liability for any inaccuracies or damage caused

## HTD® Pilot Bore

### 14mm Pitch 14M-115 (115mm Wide Belt)

Number of Teeth	Type	De	Dp	Df	Dm	Di	F	L	d	Weight Kg
28	2F	122.12	124.78	128.0	100.0	-	133.0	148	32	9.20
29	2F	126.57	129.23	142.0	100.0	-	133.0	148	32	10.20
30	2F	130.99	133.69	142.0	100.0	-	133.0	148	32	11.20
32	2F	139.88	142.60	158.0	100.0	-	133.0	148	32	13.20
34	2F	148.79	151.52	158.0	100.0	-	133.0	148	32	14.80
36	2F	157.68	160.43	168.0	100.0	-	133.0	148	32	16.60
38	2F	166.60	169.34	184.0	120.0	-	133.0	148	32	19.20
40	2F	175.49	178.25	192.0	135.0	-	133.0	148	32	20.56
44	2F	193.28	196.08	211.0	140.0	-	133.0	148	32	21.93
48	2F	211.11	213.90	226.0	150.0	-	133.0	148	32	25.00
56	2F	246.76	249.55	265.0	150.0	-	133.0	148	32	27.50
64	6F	282.41	285.21	296.0	150.0	242	133.0	133	32	30.10
72	7	318.06	320.86	-	150.0	278	133.0	133	32	32.83
80	7	353.71	356.51	-	150.0	314	133.0	133	32	35.55
90	7	398.28	401.07	-	150.0	358	133.0	133	32	41.00
112	7	496.32	499.11	-	150.0	456	133.0	133	32	54.40
144	7	638.92	641.71	-	165.0	600	133.0	133	32	67.80
168	7	745.87	748.66	-	165.0	706	133.0	133	32	75.80
192	7	852.82	855.62	-	165.0	813	133.0	133	32	88.30
216	7	959.76	962.57	-	165.0	920	133.0	133	32	98.00



### 14mm Pitch 14M-170 (170mm Wide Belt)

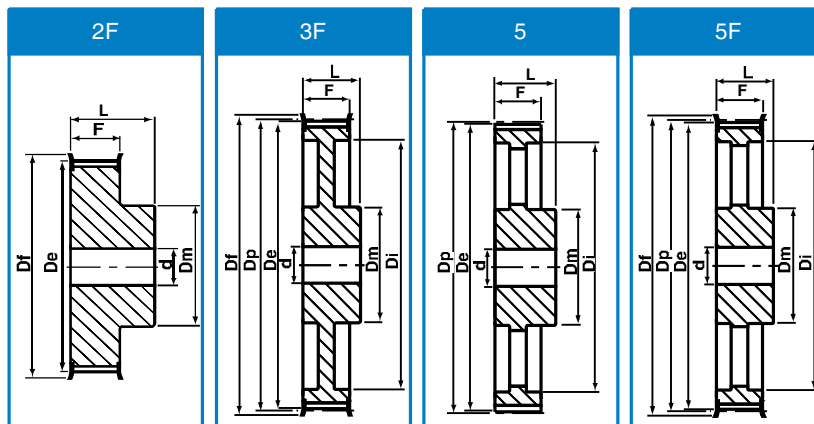
Number of Teeth	Type	De	Dp	Df	Dm	Di	F	L	d	Weight Kg
28	2F	122.12	124.78	128.0	100.0	-	187.0	202	32	13.80
29	2F	126.57	129.23	142.0	100.0	-	187.0	202	32	14.20
30	2F	130.99	133.69	142.0	100.0	-	187.0	202	32	15.60
32	2F	139.88	142.60	158.0	100.0	-	187.0	202	32	18.10
34	2F	148.79	151.52	158.0	100.0	-	187.0	202	32	20.40
36	2F	157.68	160.43	168.0	120.0	-	187.0	202	32	23.50
38	2F	166.60	169.34	184.0	135.0	-	187.0	202	32	26.50
40	2F	175.49	178.25	192.0	135.0	-	187.0	202	32	30.10
44	2F	193.28	196.08	211.0	160.0	-	187.0	202	32	37.80
48	2F	211.11	213.90	226.0	160.0	-	187.0	202	32	44.50
56	2F	246.76	249.55	265.0	160.0	-	187.0	202	32	61.00
64	2F	282.41	285.21	296.0	180.0	-	187.0	202	32	81.00
72	6	318.06	320.86	-	180.0	278	187.0	187	32	61.40
80	6	353.71	356.51	-	180.0	314	187.0	187	32	65.00
90	7	398.28	401.07	-	180.0	358	187.0	187	38	68.00
112	7	496.32	499.11	-	200.0	456	187.0	187	38	87.50
144	7	638.92	641.71	-	220.0	600	187.0	187	38	114.00
168	7	745.87	748.66	-	220.0	706	187.0	187	38	125.00
192	7	852.82	855.62	-	220.0	813	187.0	187	38	136.40
216	7	959.76	962.57	-	220.0	920	187.0	187	38	147.00

Every effort has been taken to ensure that the data listed in this catalogue is correct. Challenge accepts no liability for any inaccuracies or damage caused. All dimensions in millimetres unless otherwise stated.

## HTD<sup>®</sup> Pilot Bore

### 20mm Pitch 20M-115 (115mm Wide Belt)

Number of Teeth	Type	De	Dp	Df	Dm	Di	F	L	d	Weight Kg
34	2F	212.13	216.45	240.0	165.0	-	136.5	168.5	32	
36	2F	224.87	229.18	250.0	178.0	-	136.5	168.5	32	
38	2F	237.60	241.92	265.0	181.0	-	136.5	168.5	32	
40	2F	250.33	254.56	275.0	203.0	-	136.5	168.5	32	
44	2F	275.79	280.11	300.0	210.0	-	136.5	168.5	32	
48	2F	301.26	305.88	325.0	228.0	-	136.5	168.5	32	
52	2F	326.72	331.04	350.0	228.0	-	136.5	168.5	32	
56	2F	352.19	356.51	375.0	228.0	-	136.5	168.5	32	
60	3F	377.65	381.97	405.0	228.0	318	136.5	168.5	38	
64	3F	403.12	407.44	430.0	228.0	343	136.5	168.5	38	
68	3F	428.58	432.90	455.0	228.0	366	136.5	168.5	38	
72	5F	454.05	458.37	480.0	228.0	435	136.5	168.5	38	
80	5F	504.98	509.30	530.0	280.0	445	136.5	168.5	38	
90	5F	568.64	572.96	595.0	280.0	508	136.5	168.5	38	
112	5	708.70	713.01	-	280.0	648	136.5	168.5	38	
144	5	912.41	916.73	-	300.0	852	136.5	168.5	44	
168	5	1065.21	1069.52	-	300.0	1005	136.5	168.5	44	
192	5	1218.00	1222.31	-	300.0	1158	136.5	168.5	48	
216	5	1370.78	1375.10	-	300.0	1300	136.5	168.5	48	



# TAPER BUSHES AND HUBS

