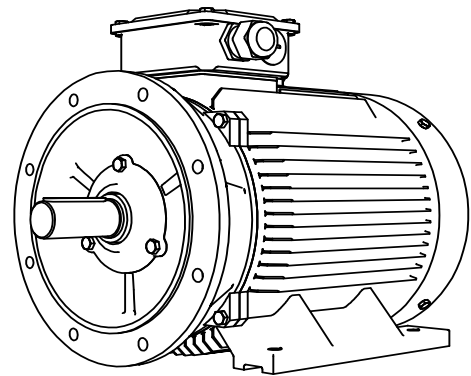
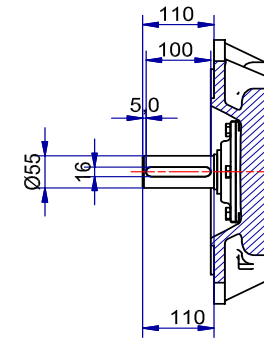


Shaft detail



01-IP55-Cast Iron-IE3-225M B35-2